

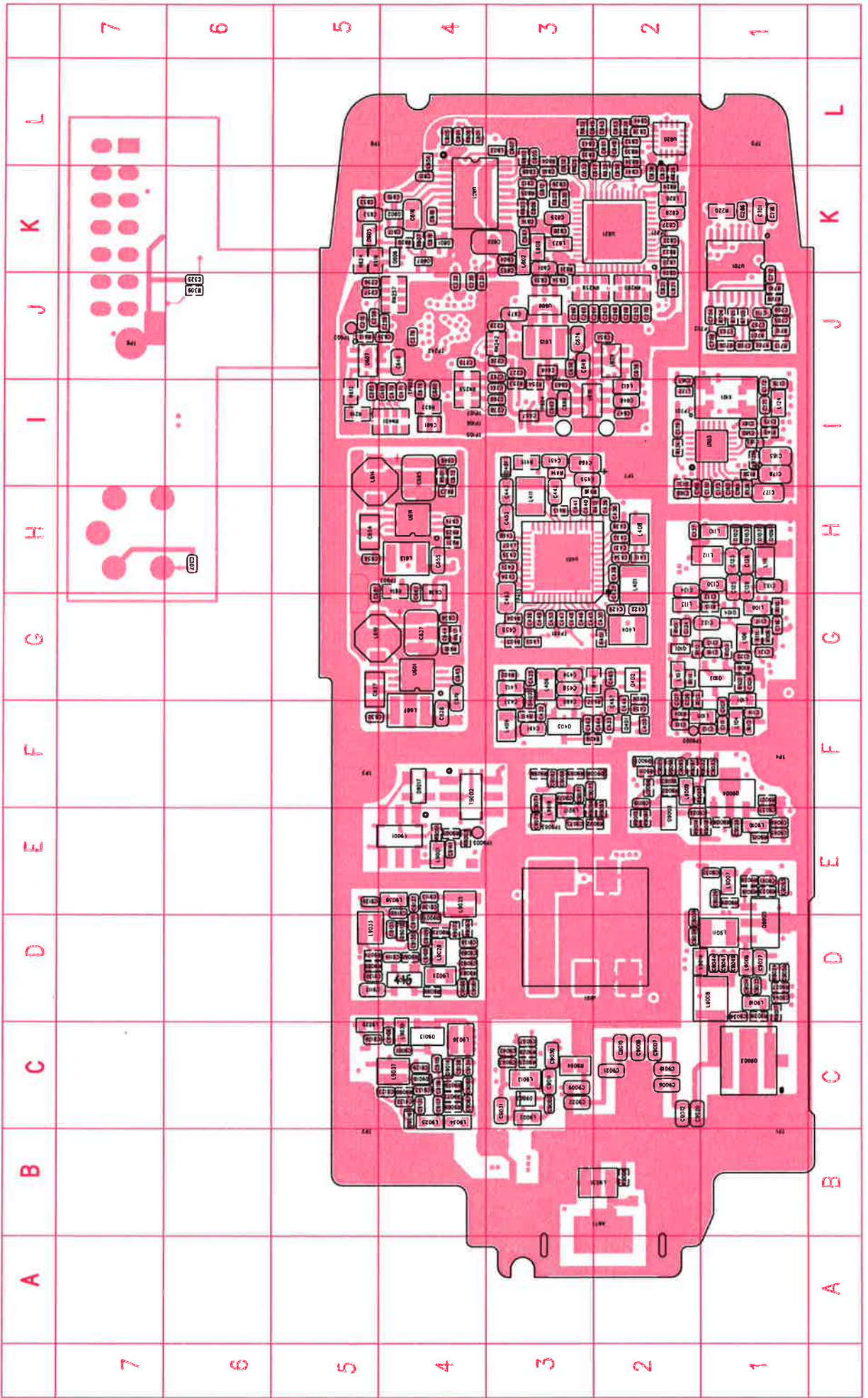
Hytera™

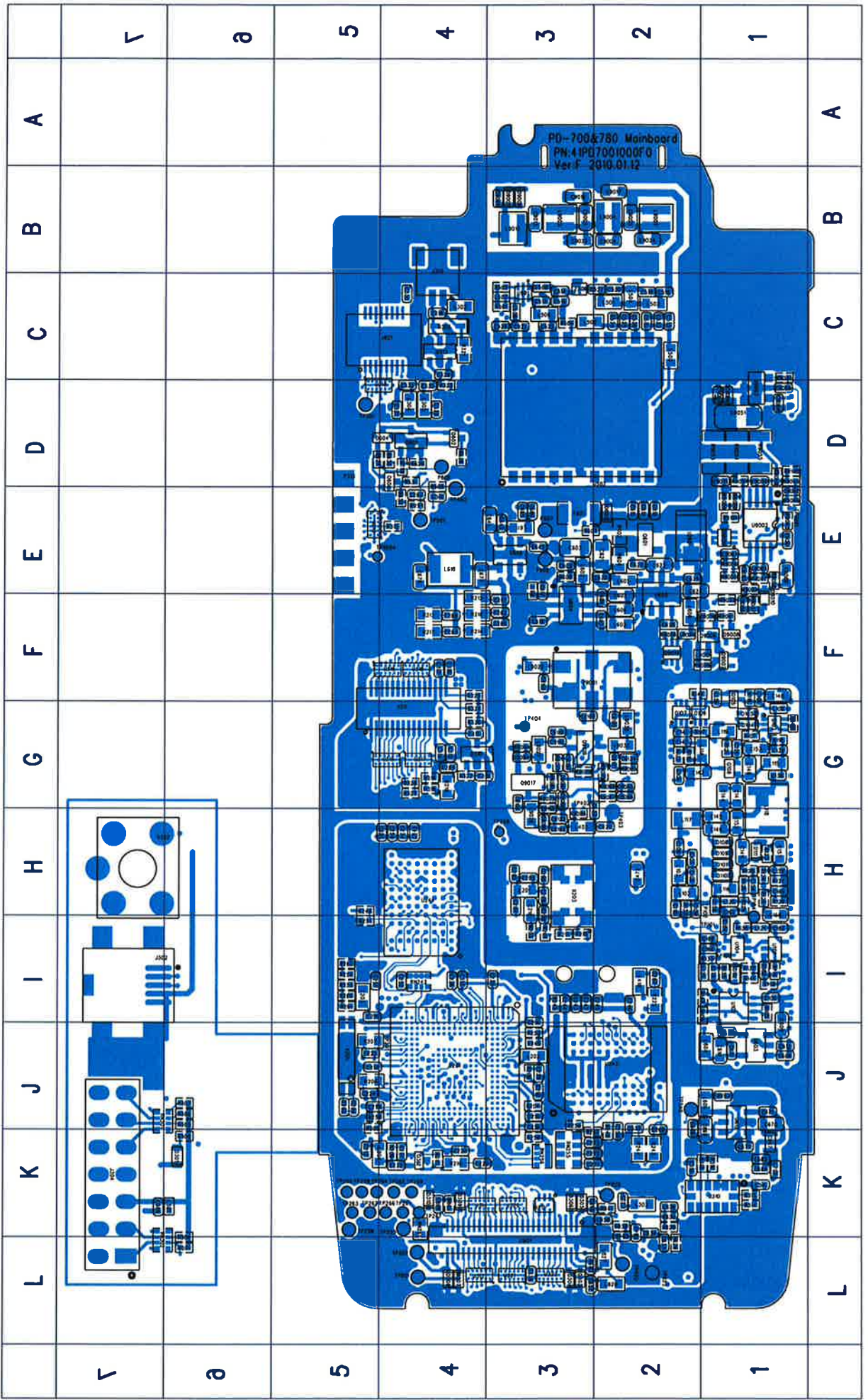
SERVICE MANUAL

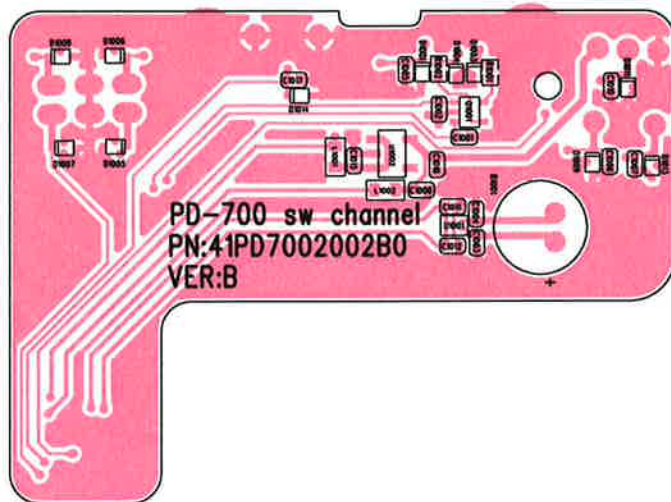
Schematics

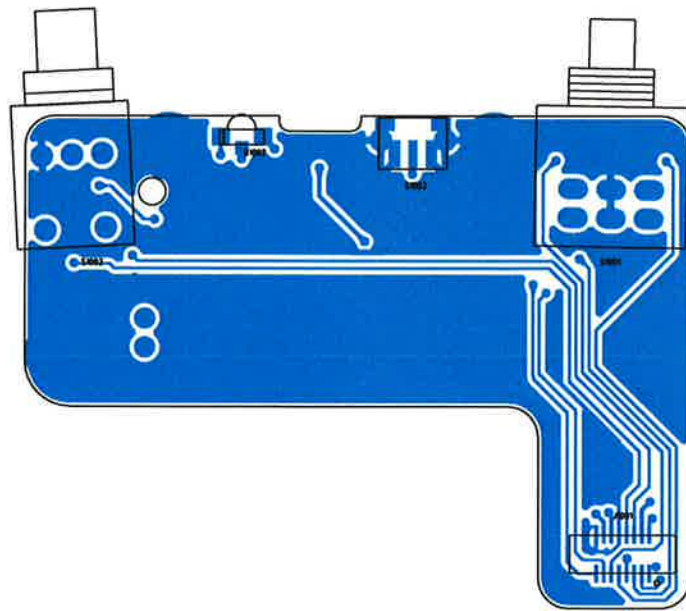
DMR PORTABLE RADIO

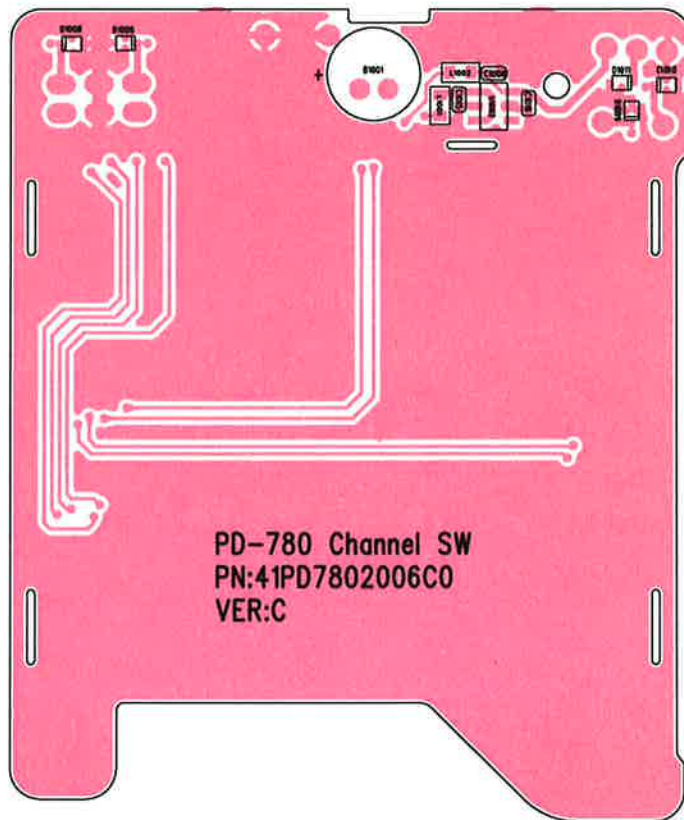


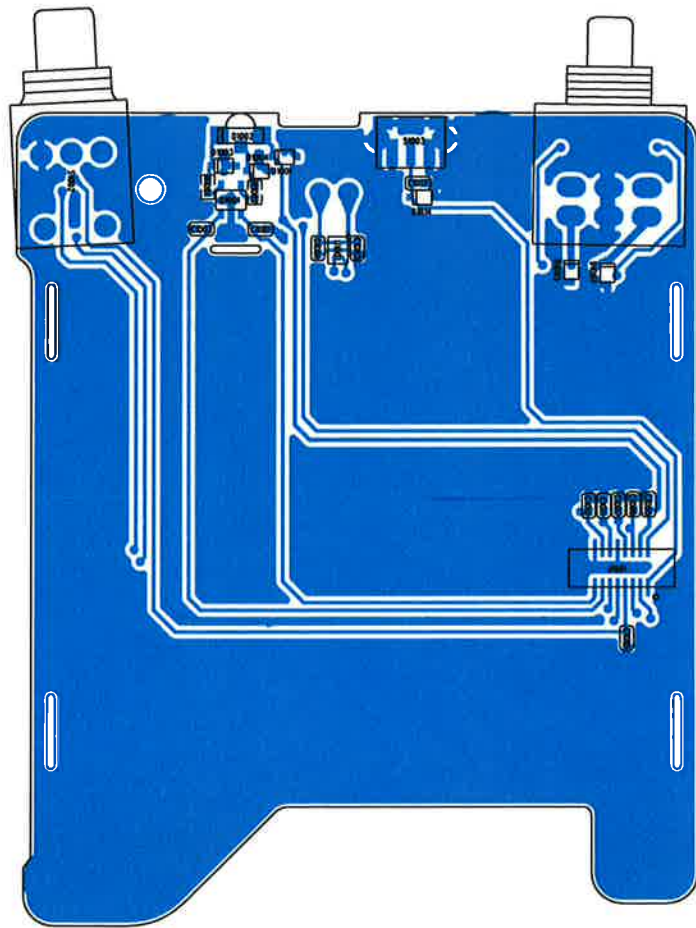


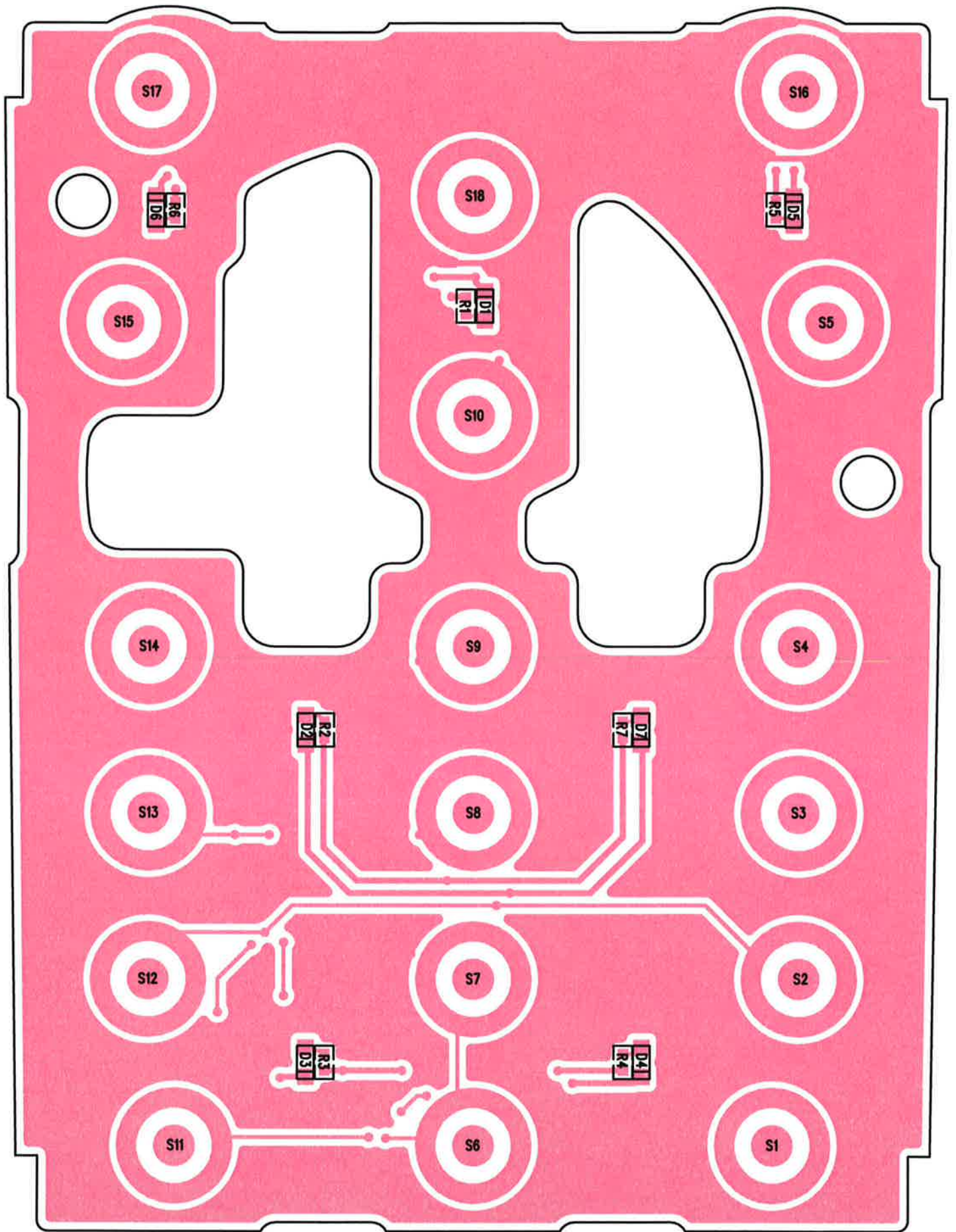




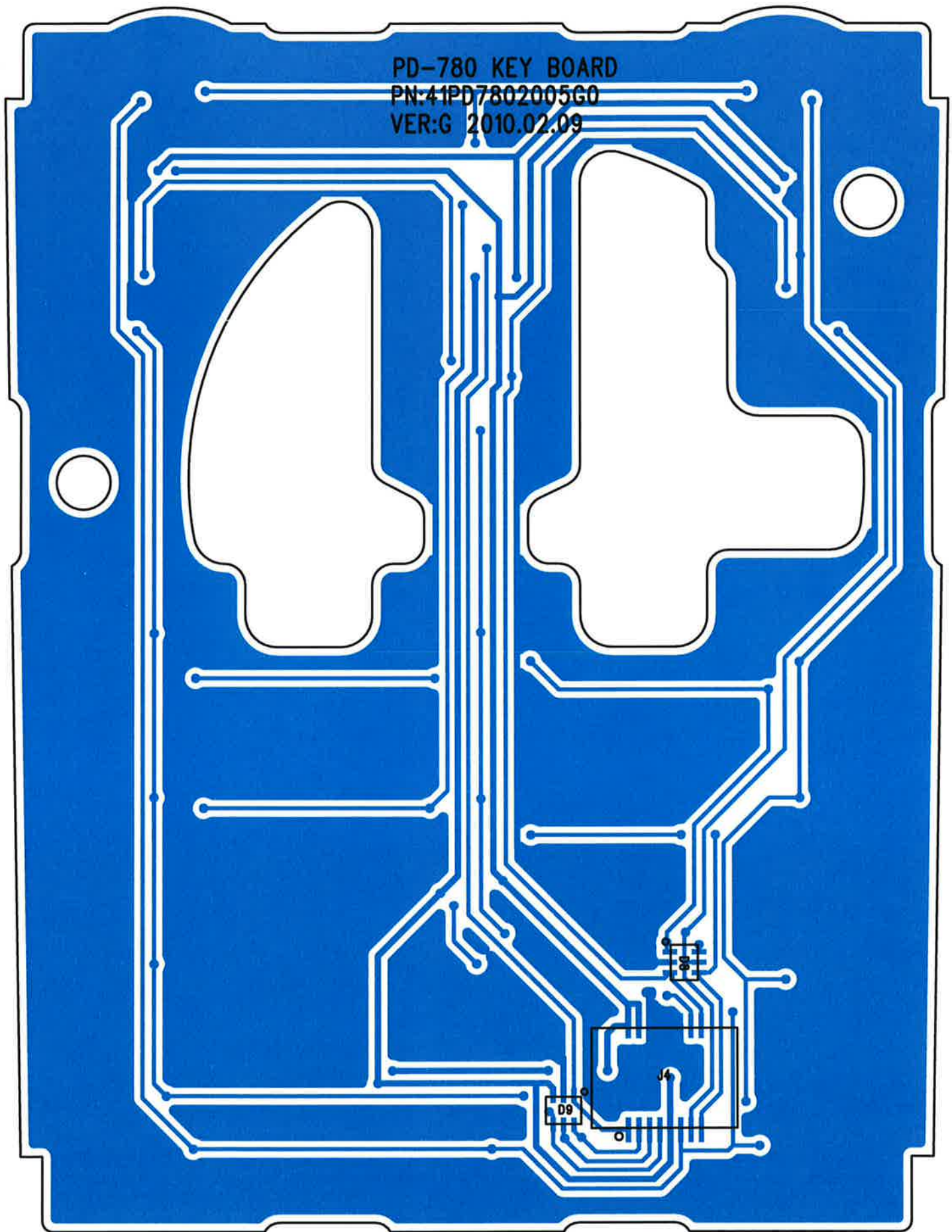


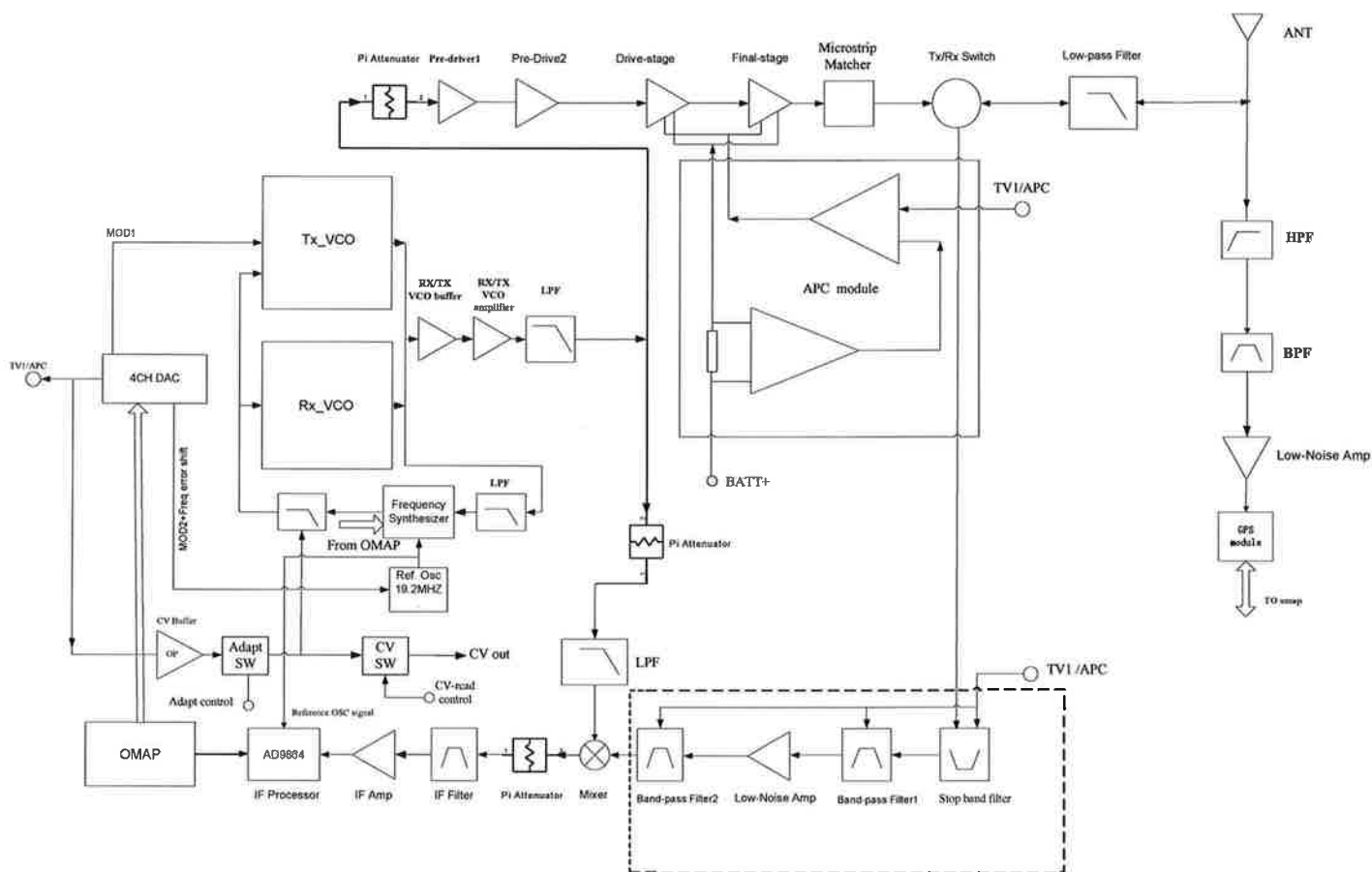


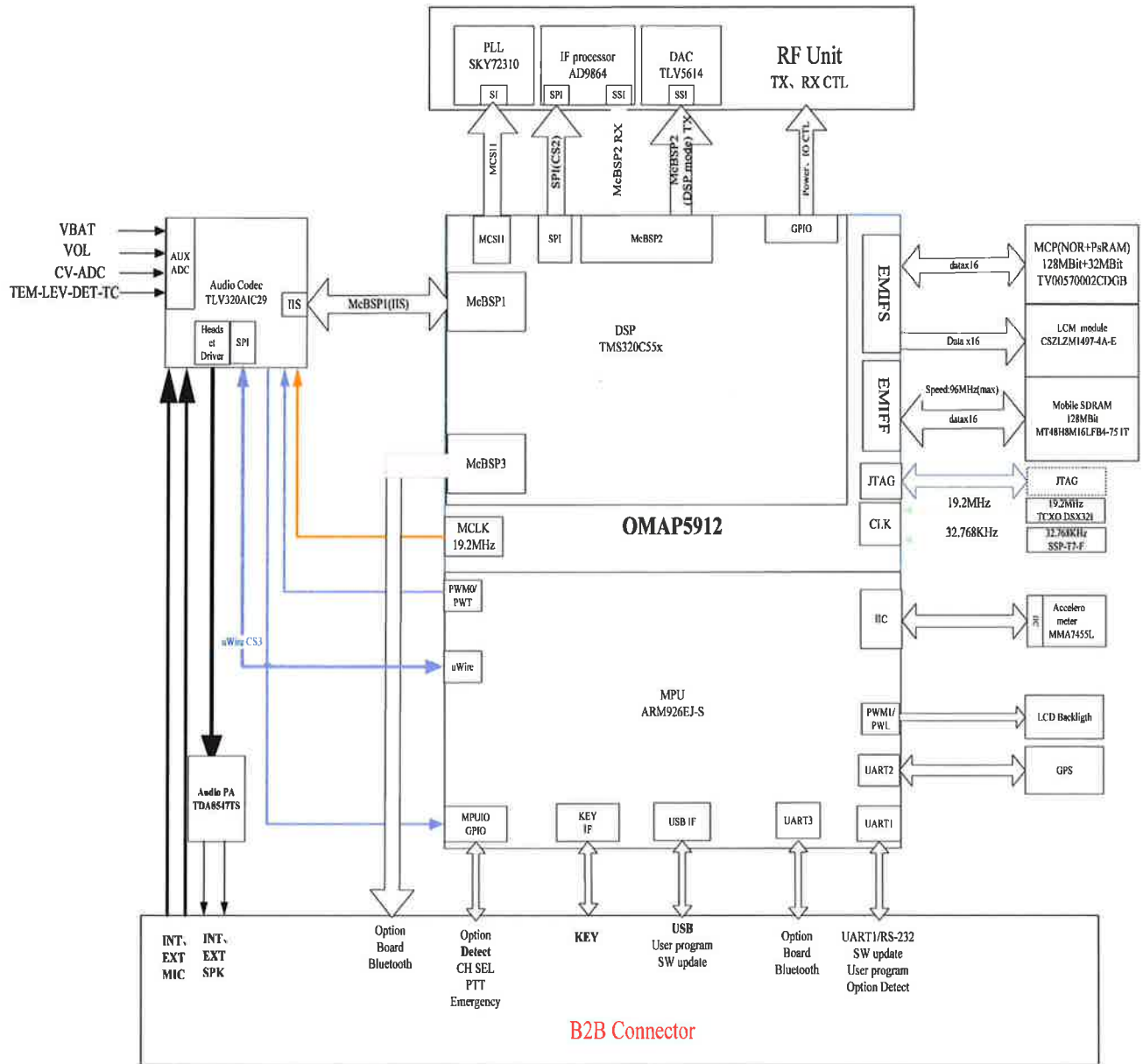




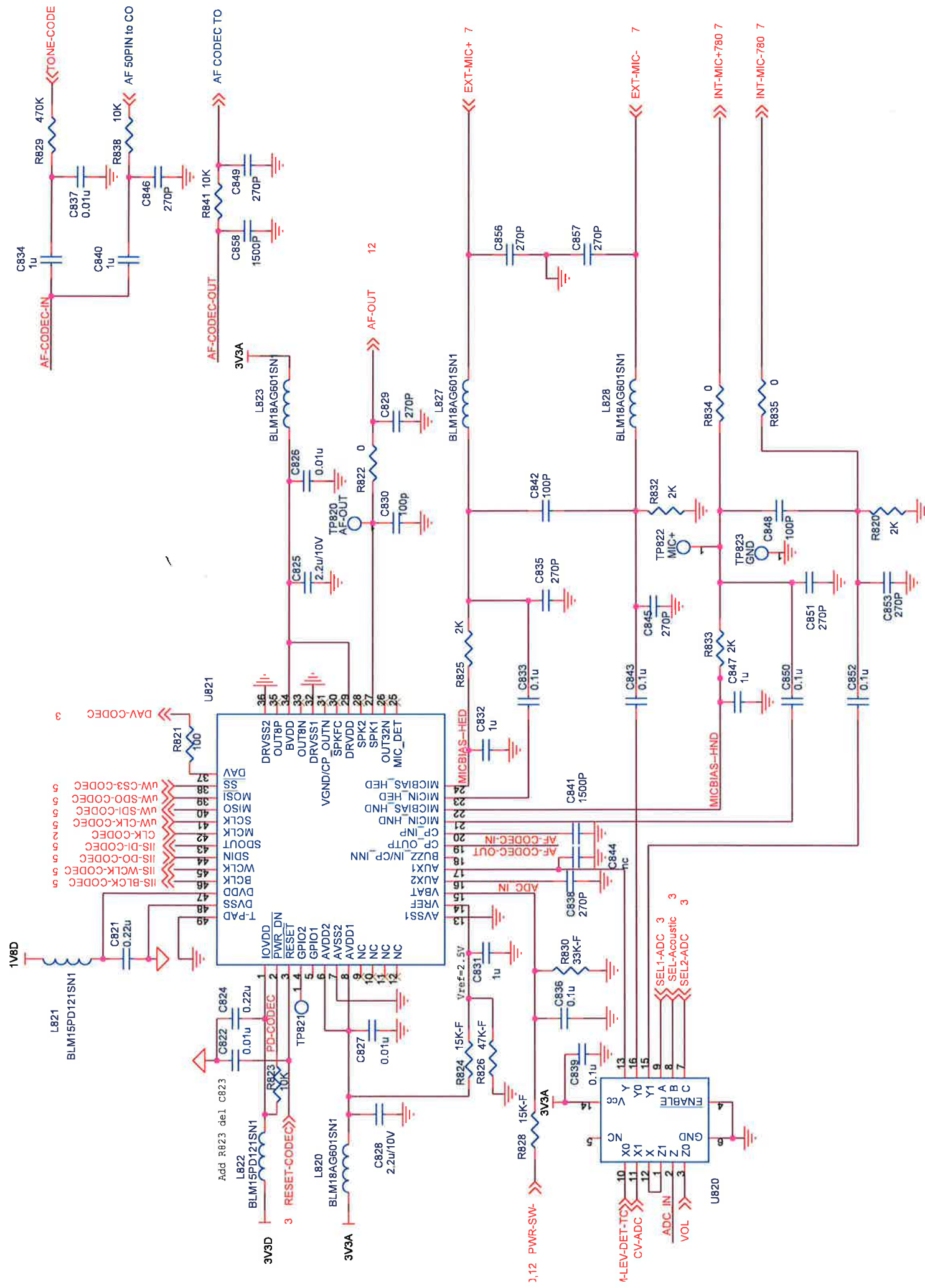
PD-780 KEY BOARD
PN:41PD7802005G0
VER:G 2010.02.09



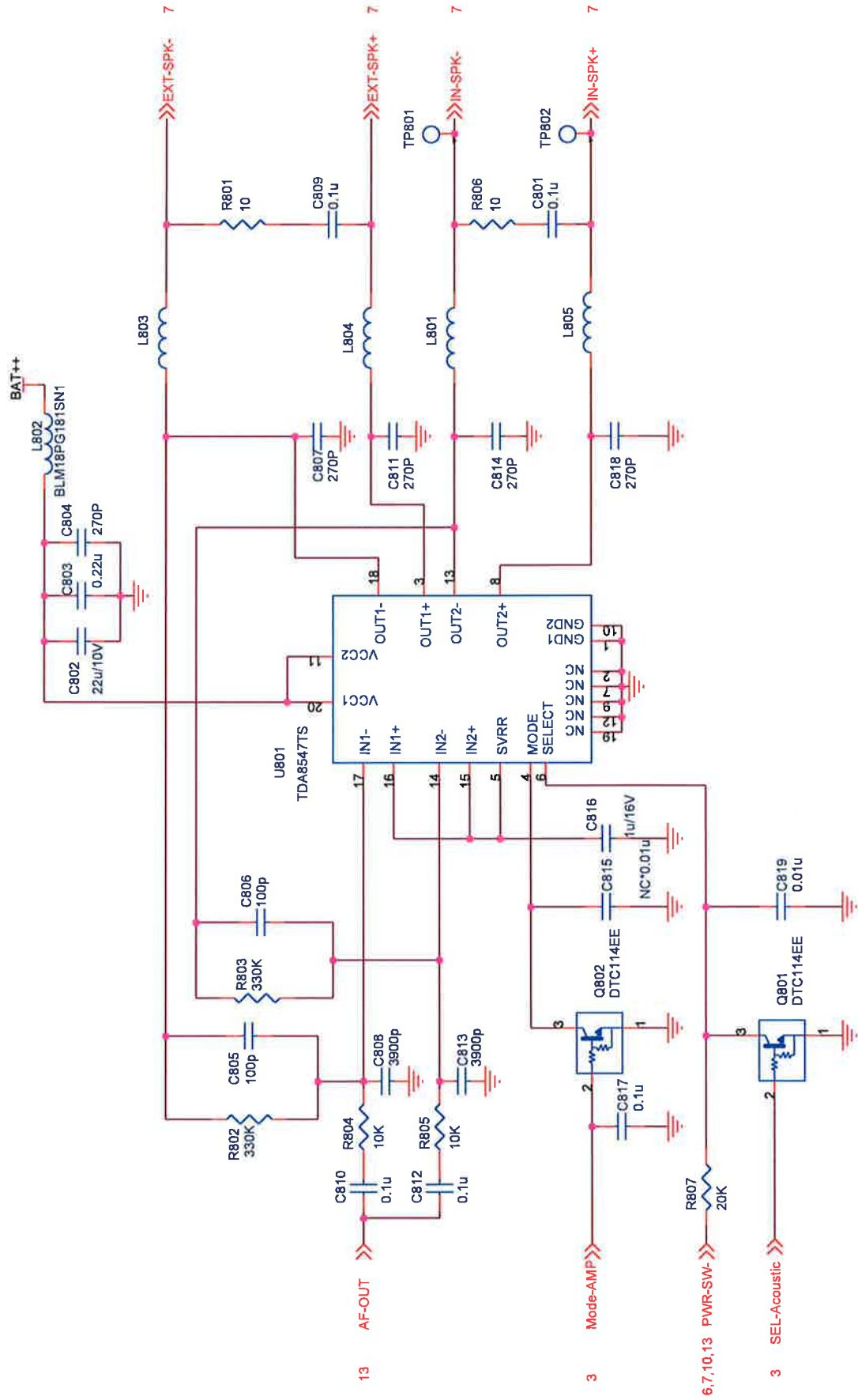




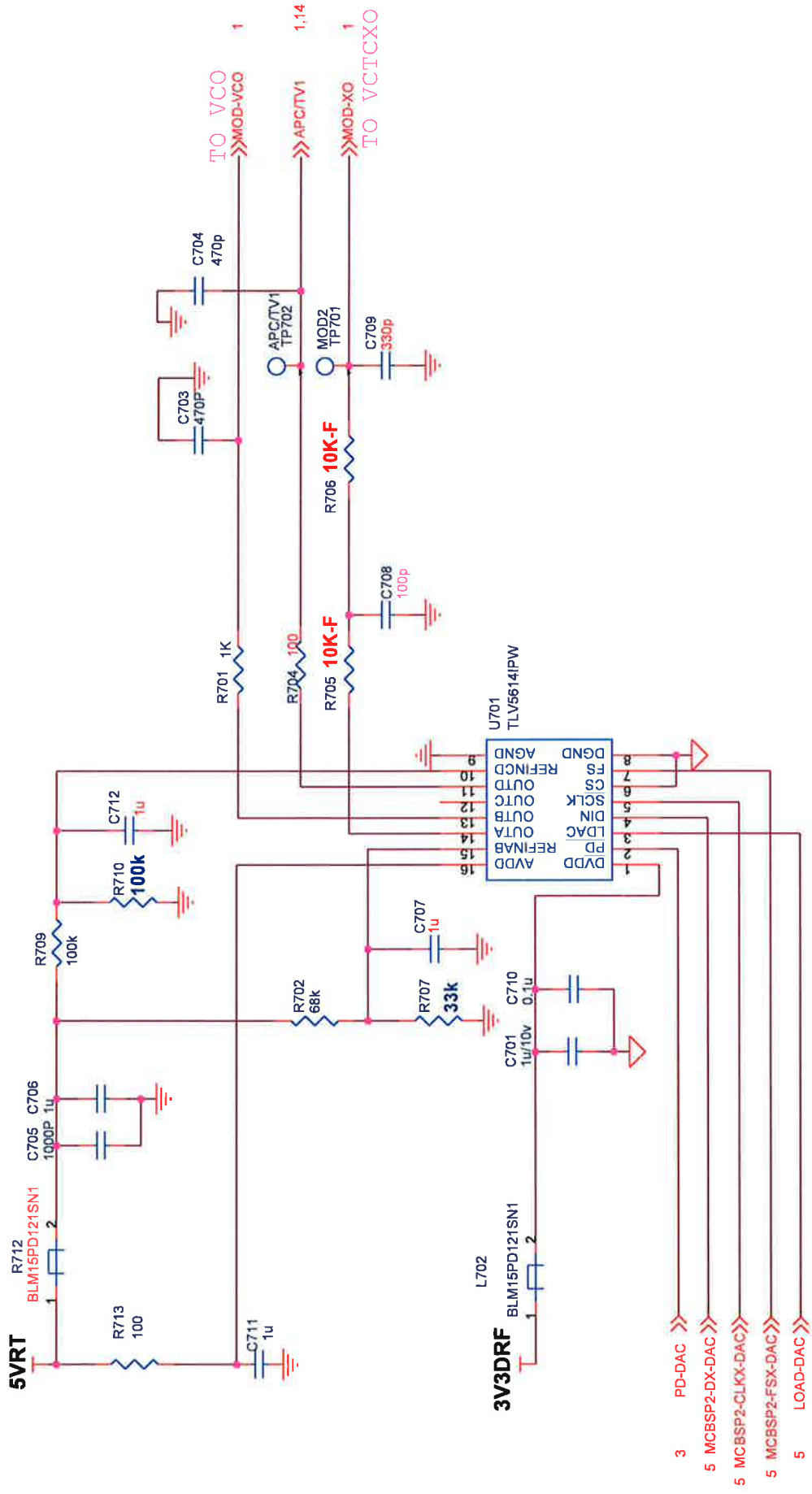
PD780 UHF Schematic Diagram(CODEC Circuit)



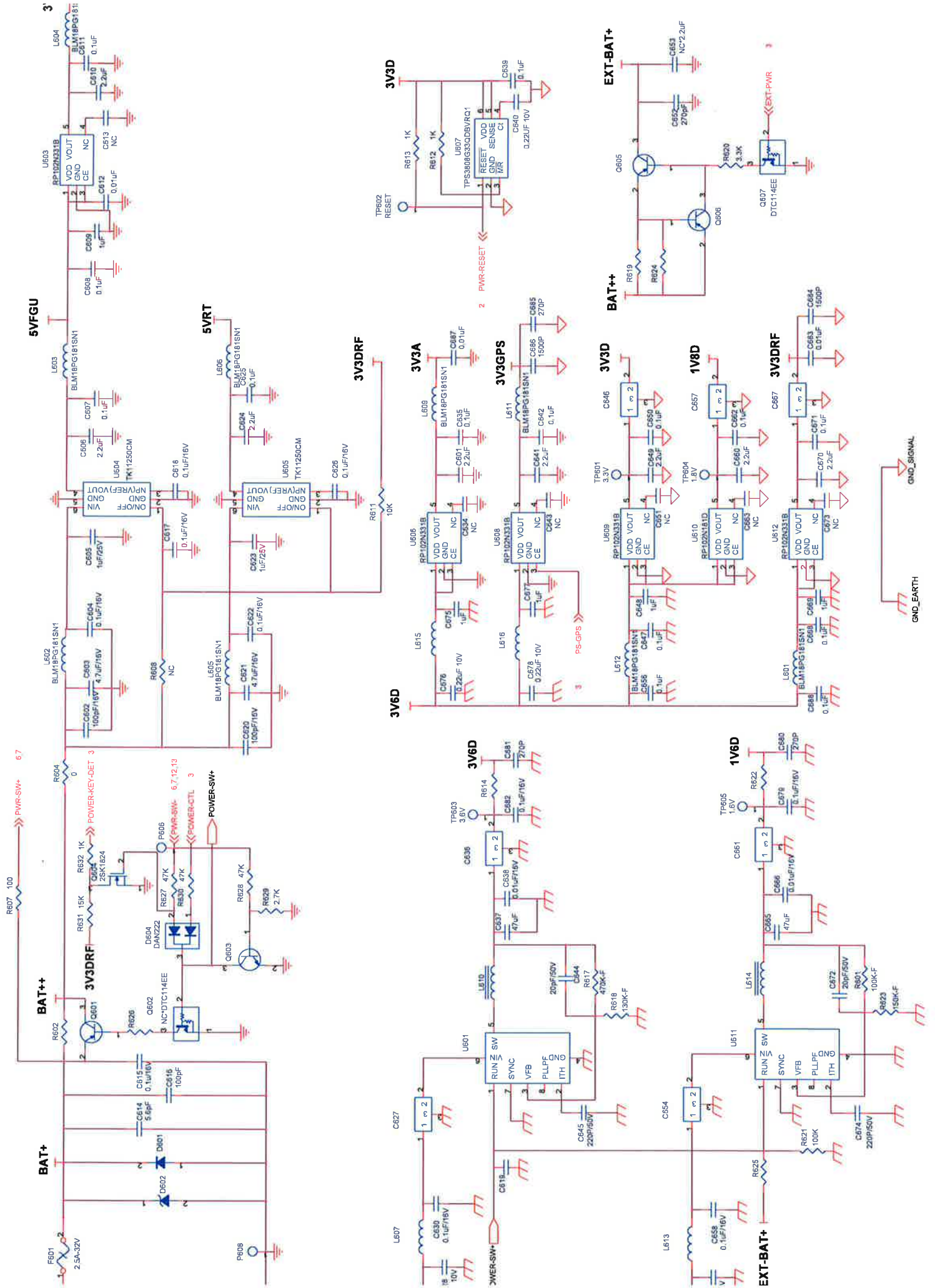
PD780 UHF Schematic Diagram(AF Amplifier Circuit)



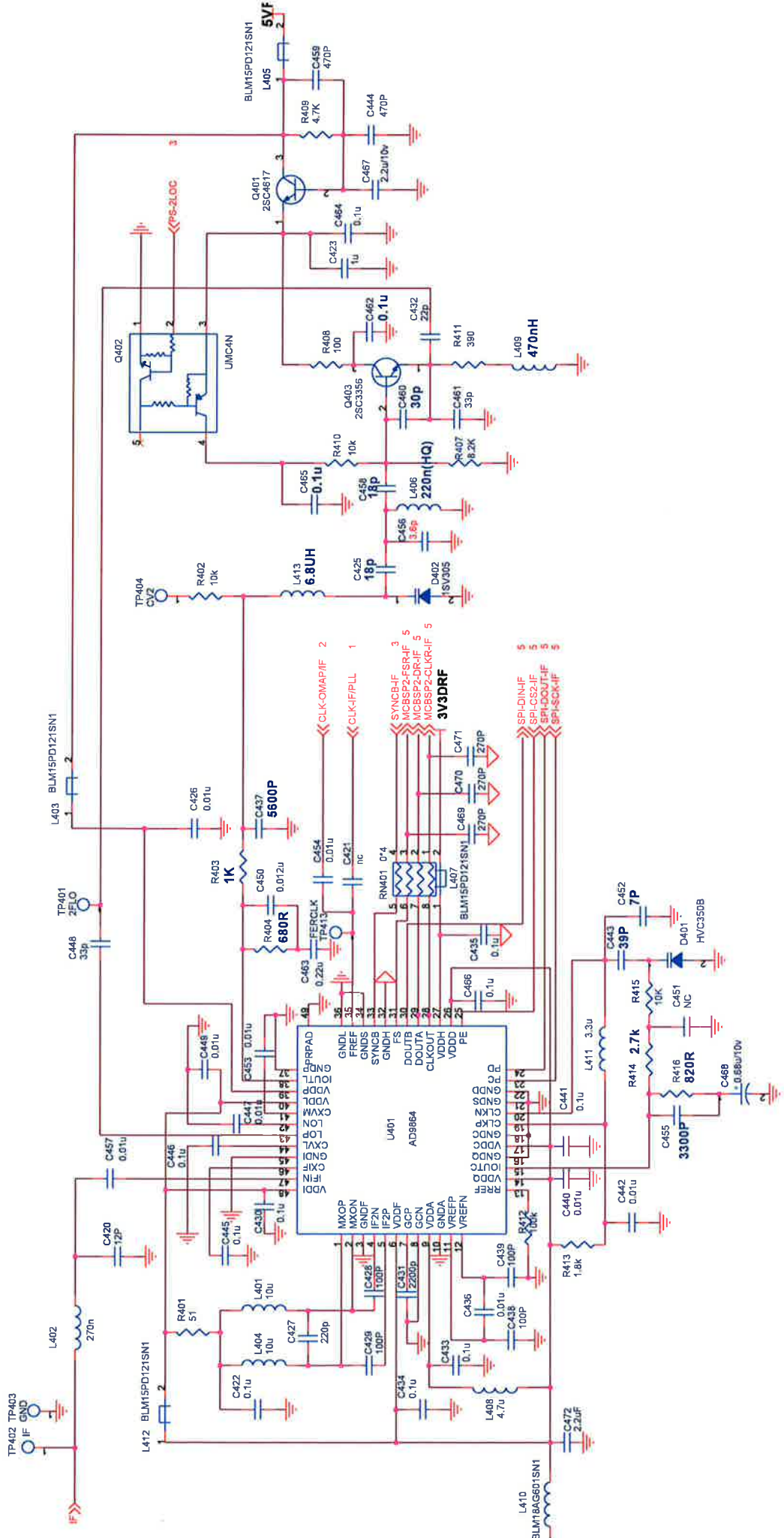
PD780 UHF Schematic Diagram(DAC Circuit)



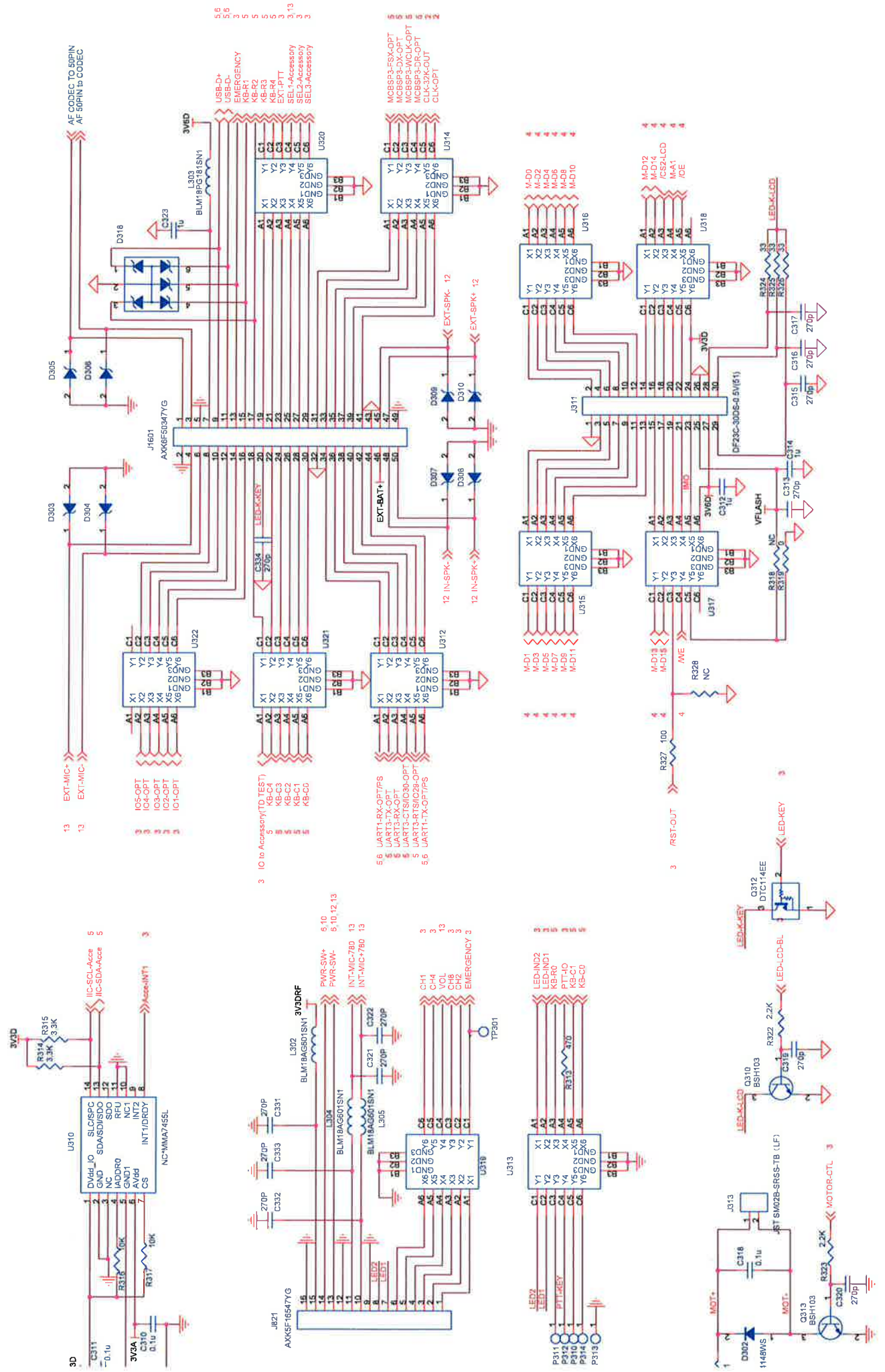
PD780 UHF Schematic(Power Circuit)



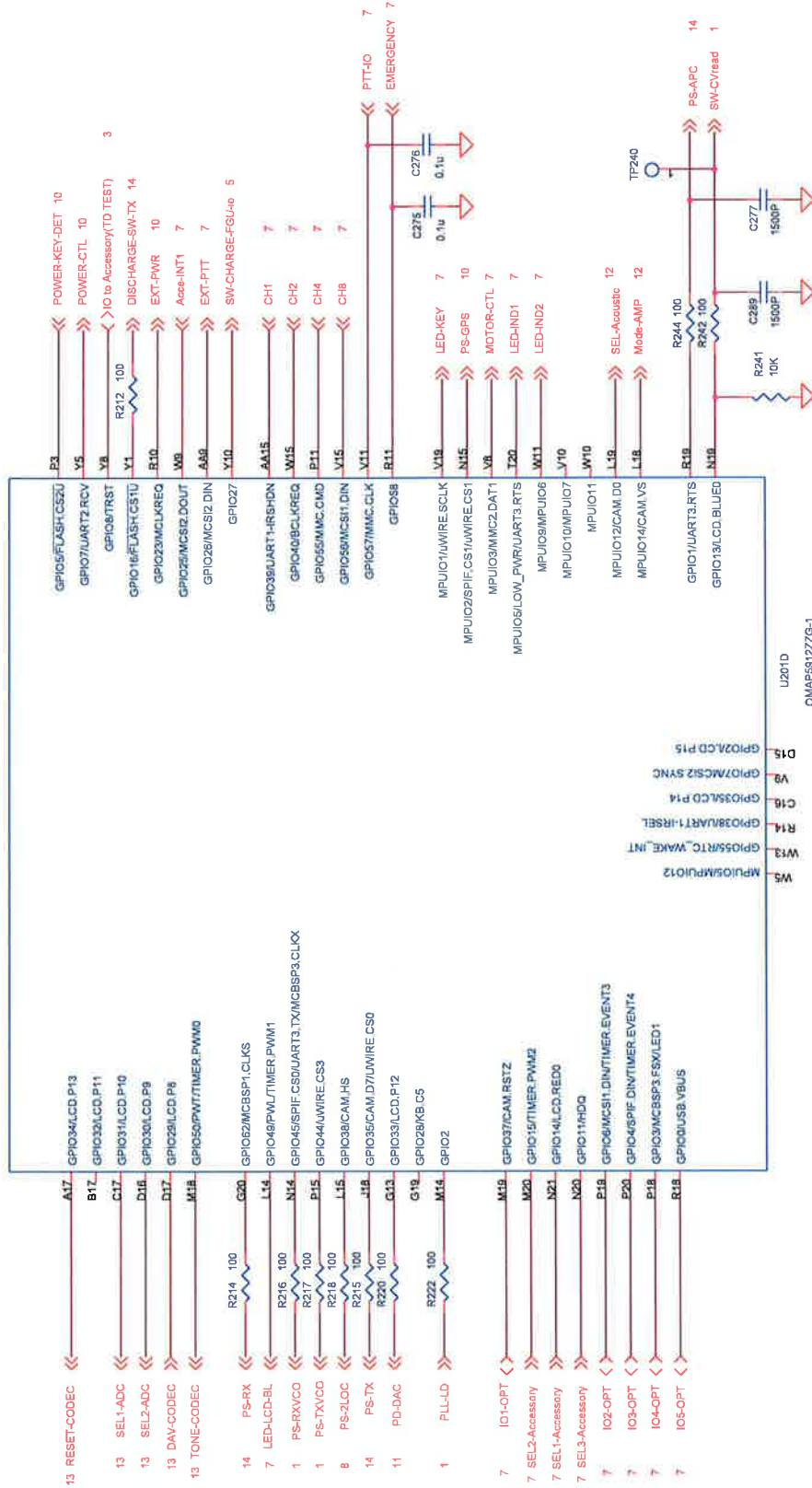
PD780 UHF Schematic Diagram(AD9864 Circuit)



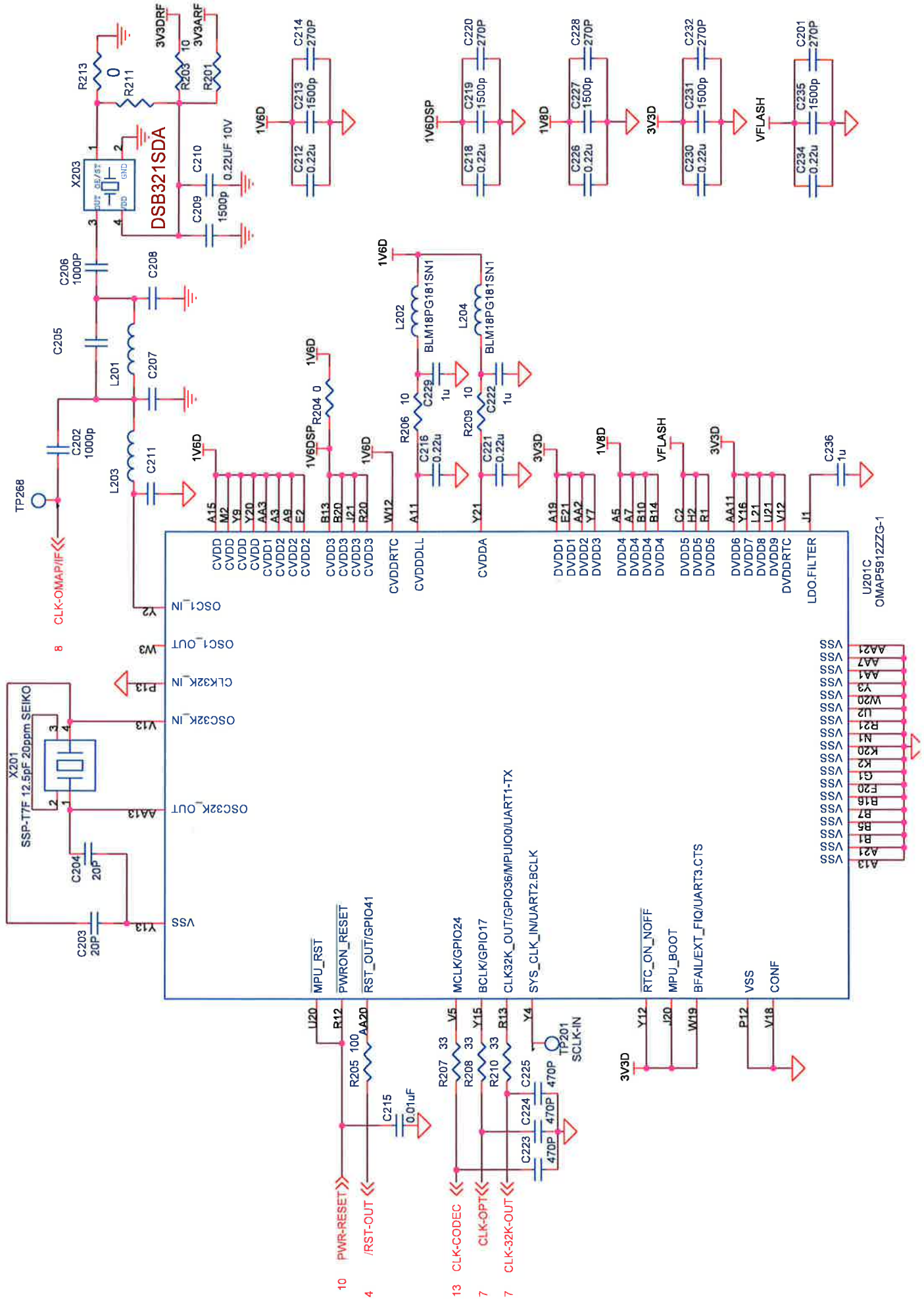
PD780 UHF Schematic Diagram(INT Interface Circuit)



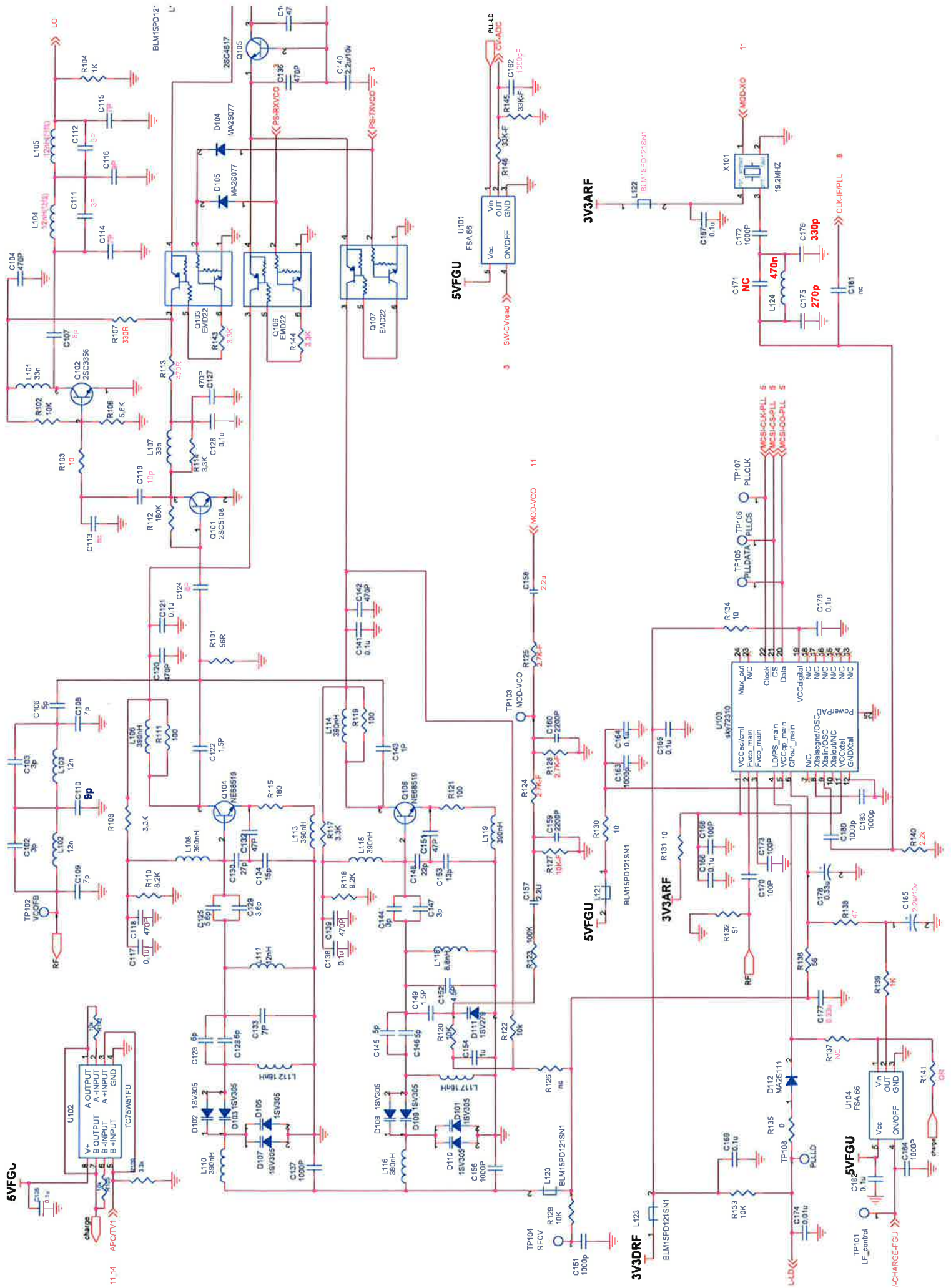
PD780 UHF Schematic Diagram(OMAP IO Circuit)



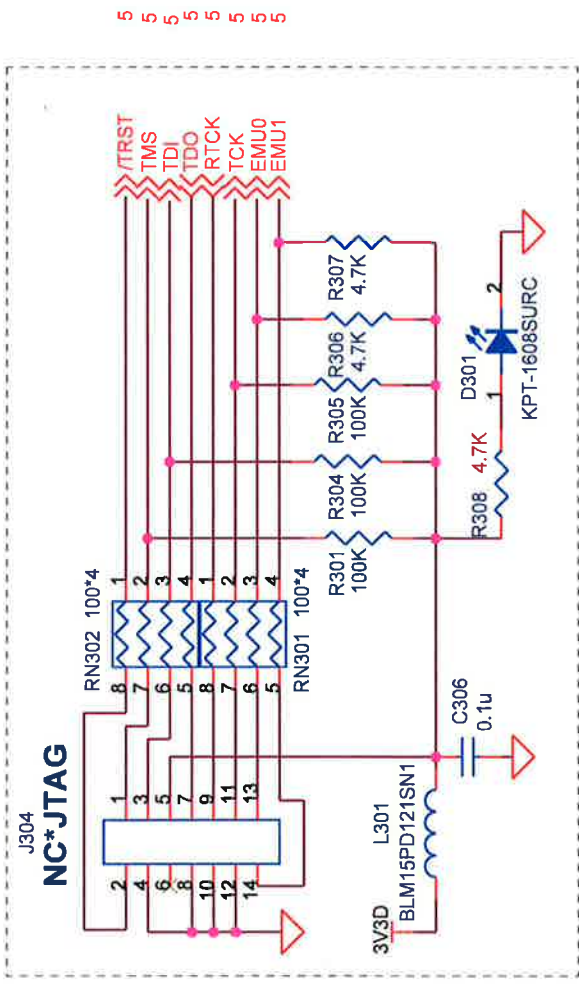
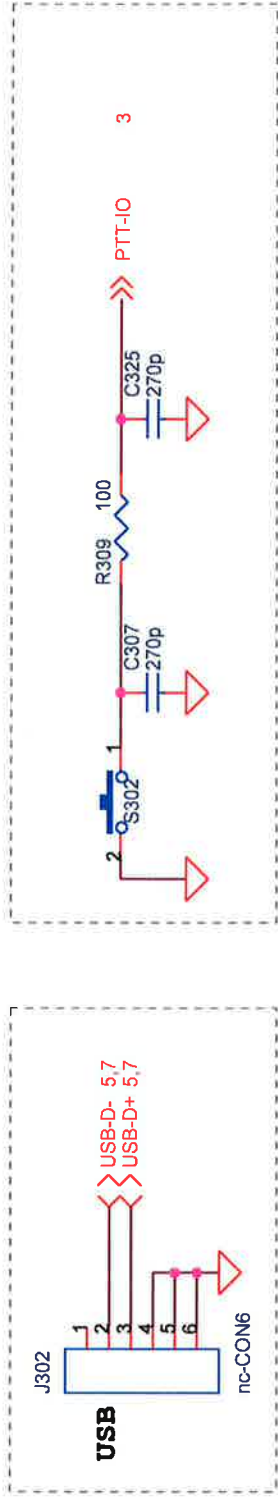
PD780 UHF Schematic Diagram(OMAP CORE Circuit)



RF/50 MHz SCNF 5VFGU circuit diagram

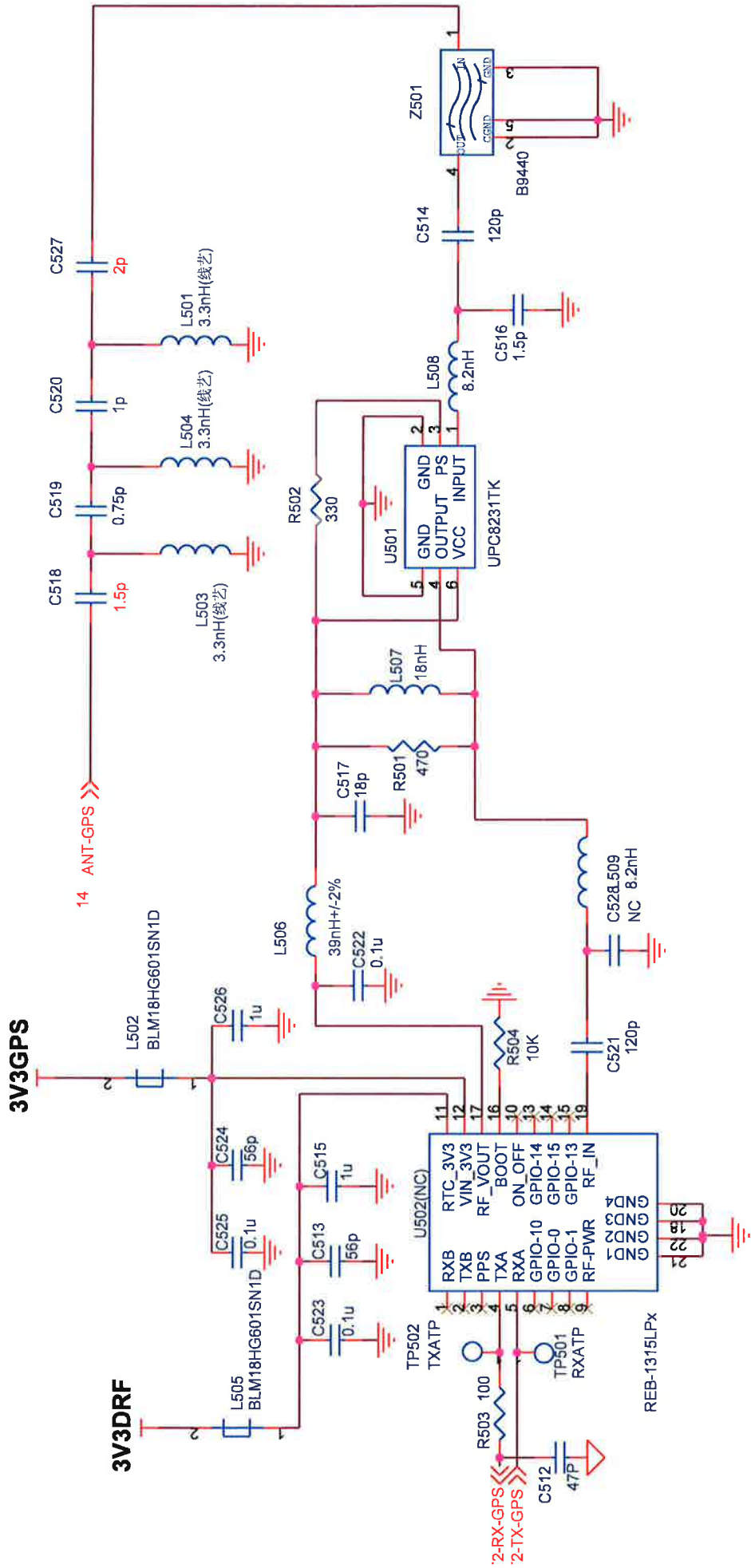


PD780 UHF Schematic Diagram(EXT Interface Circuit)

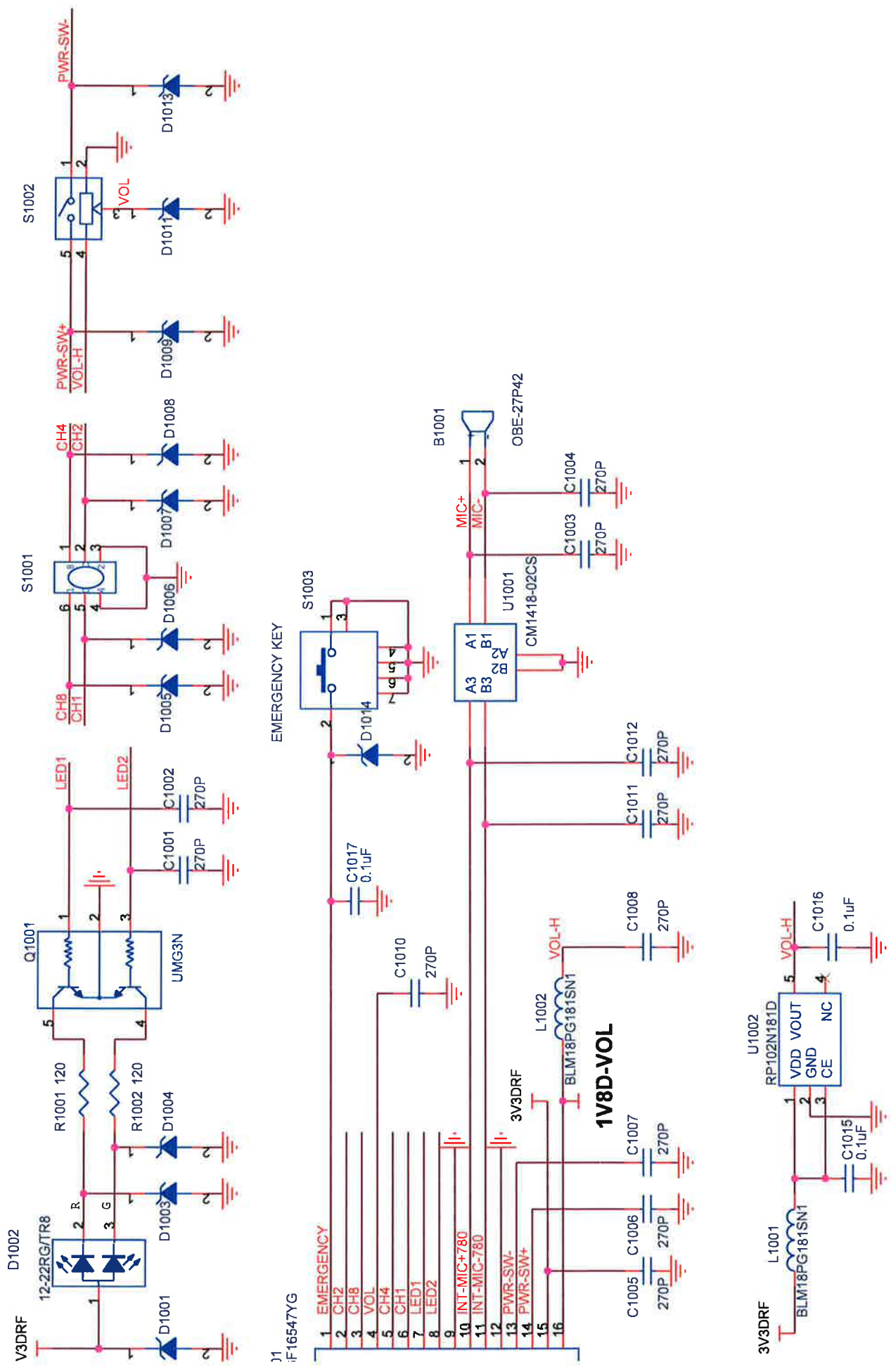


5 5 5 5 5 5 5 5

PD780 UHF Schematic Diagram(GPS Circuit)



PD780 UHF Schematic Diagram(SW Board Circuit)



EMERGENCY KEY

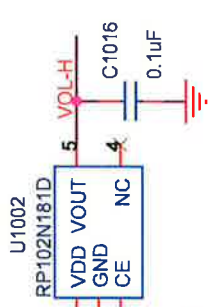
31
i:F16547YG

- 1 EMERGENCY
- 2 CH2
- 3 CH8
- 4 VOL
- 5 CH4
- 6 CH1
- 7 LED1
- 8 LED2
- 9 INT-MIC+780
- 10 INT-MIC-780
- 11 PWR-SW-
- 12 PWR-SW+
- 13 PWR-SW-
- 14 PWR-SW+
- 15
- 16

1V8D-VOL

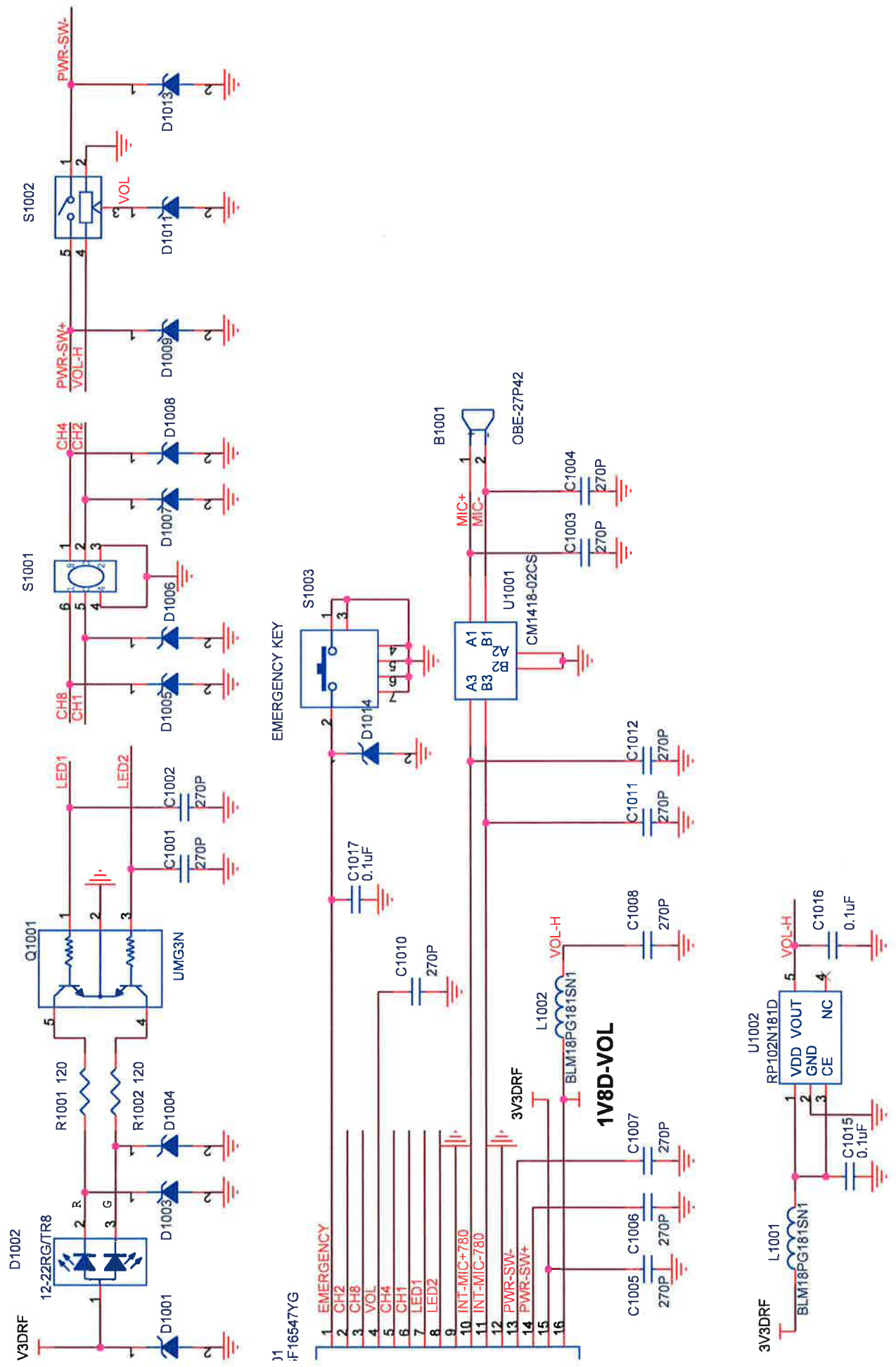
3V3DRF

U1002



- 1 BLM18PG181SN1
- 2 BLM18PG181SN1
- 3 GND
- 4 CE
- 5 VOL-H
- 6 VOL-H
- 7 GND
- 8 GND
- 9 CE
- 10 GND
- 11 GND
- 12 GND
- 13 GND
- 14 GND
- 15 GND
- 16 GND

PD780 UHF Schematic Diagram(SW Board Circuit)



PD780 UHF Schematic Diagram(Keyboard Circuit)

