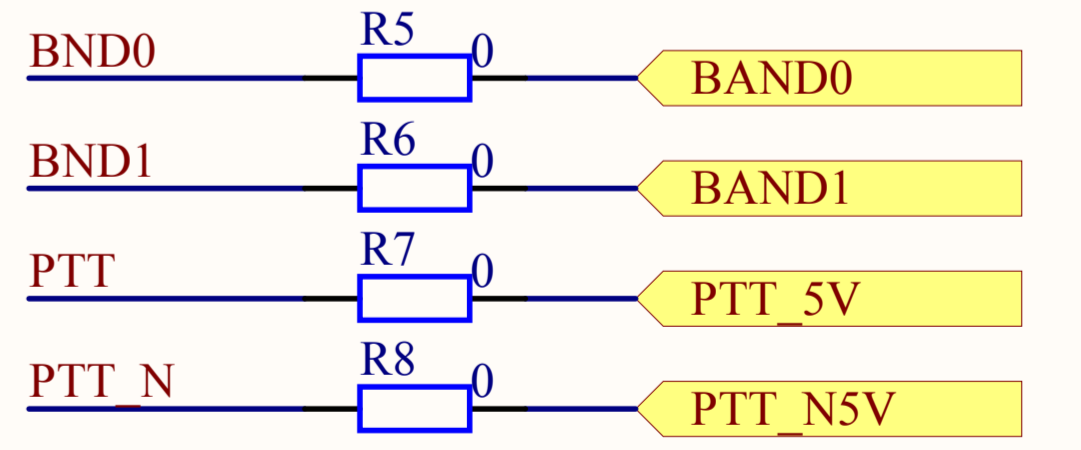
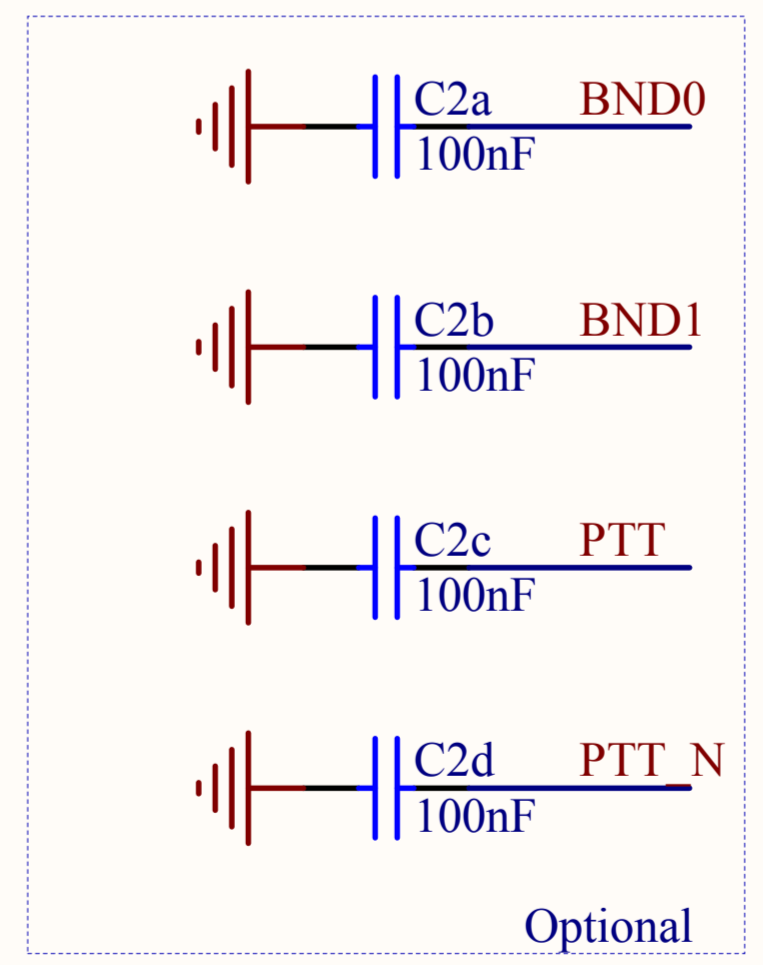


MODE	OE1	OE2	S1	S0	Switches	Filter
TX	1	0	0	0	2B1	20/30m
TX	1	0	0	1	2B2	40m
TX	1	0	1	0	2B3	15-10m
TX	1	0	1	1	2B4	80m
RX	0	1	0	0	1B1	20/30m
RX	0	1	0	1	1B2	40m
RX	0	1	1	0	1B3	15-10m
RX	0	1	1	1	1B4	80m



mcHF QRP Transceiver RF board

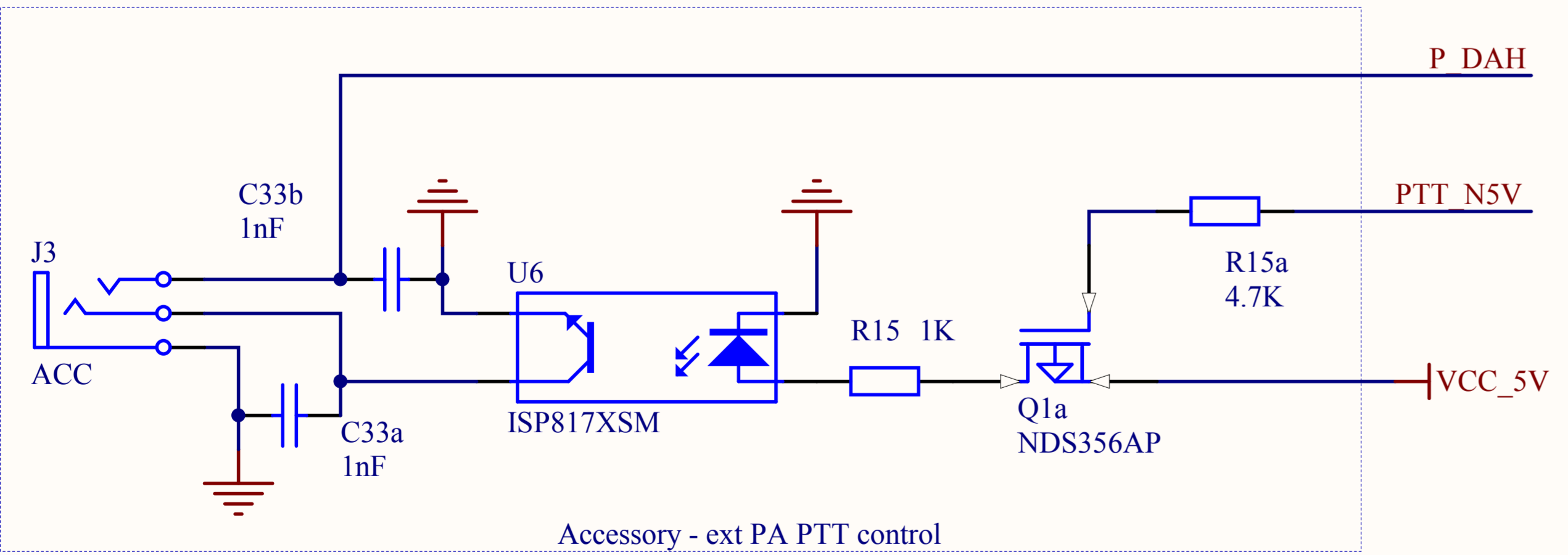
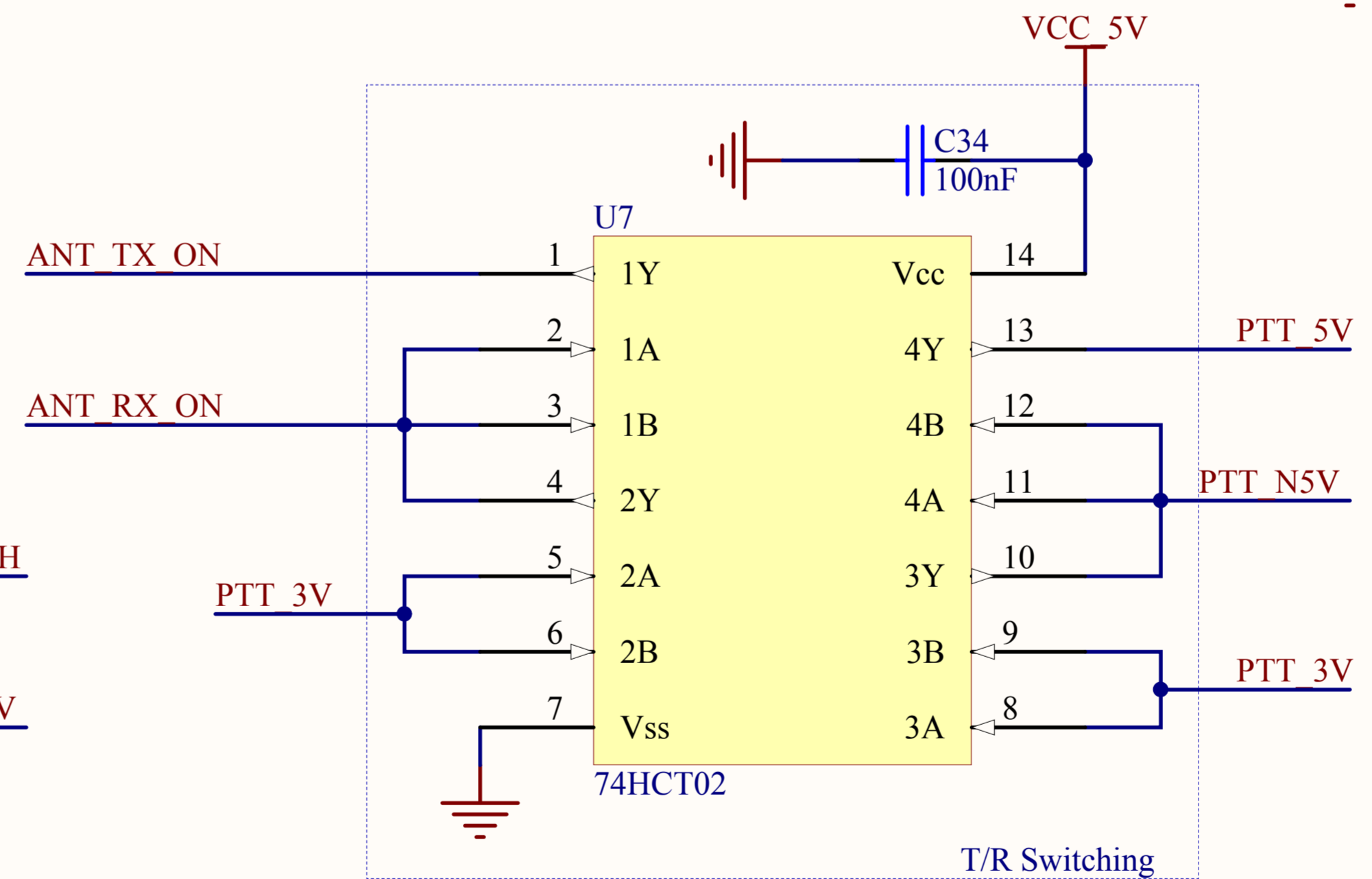
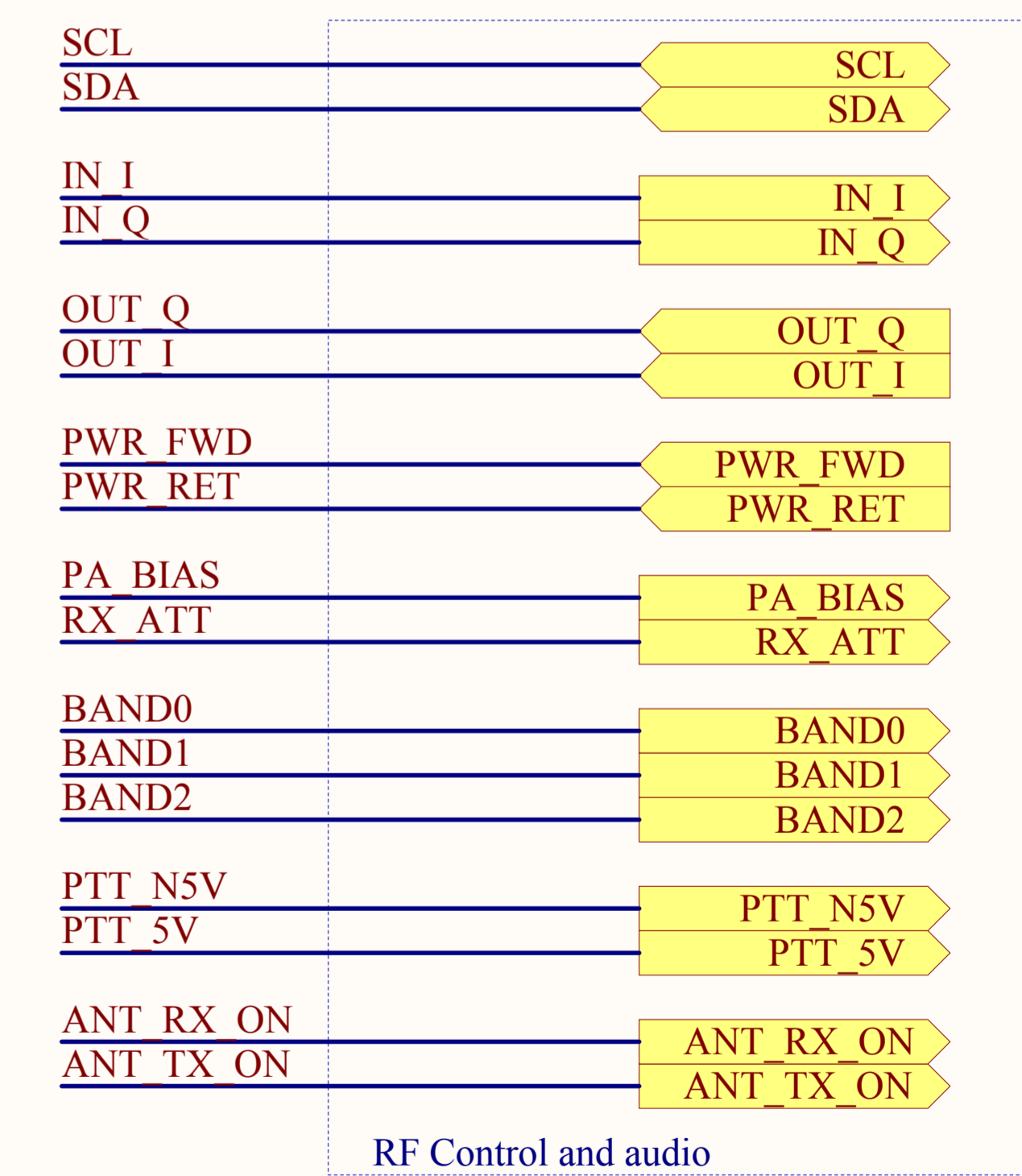
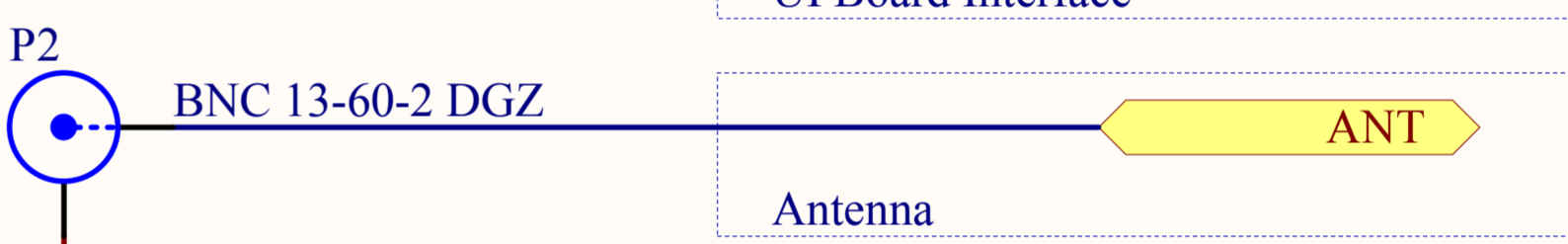
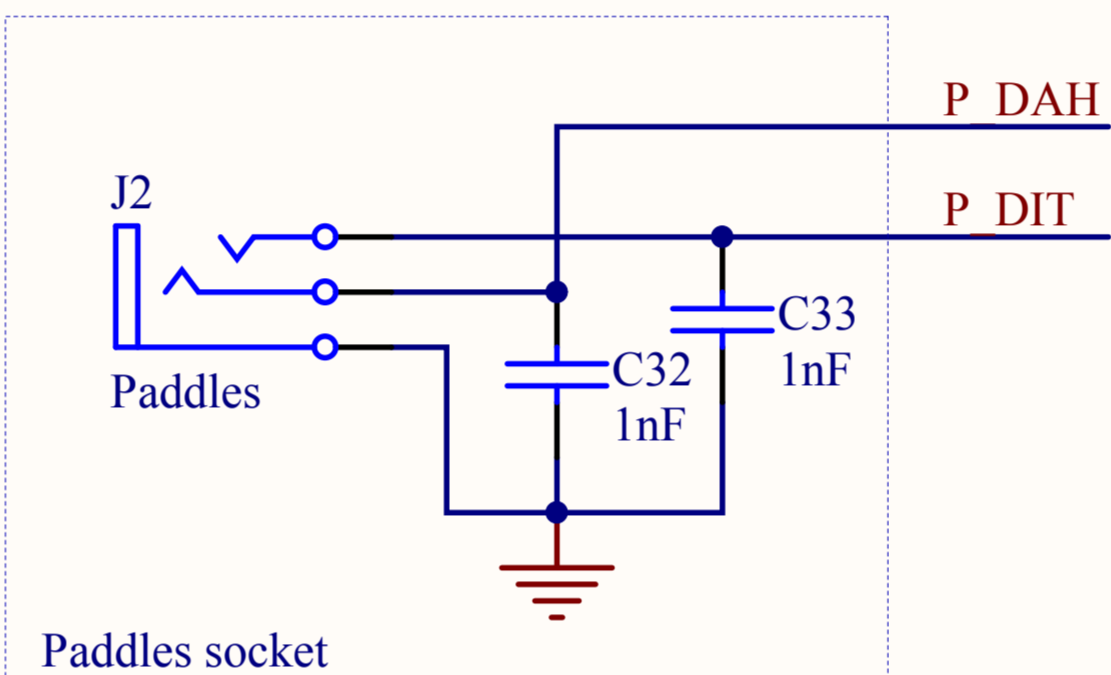
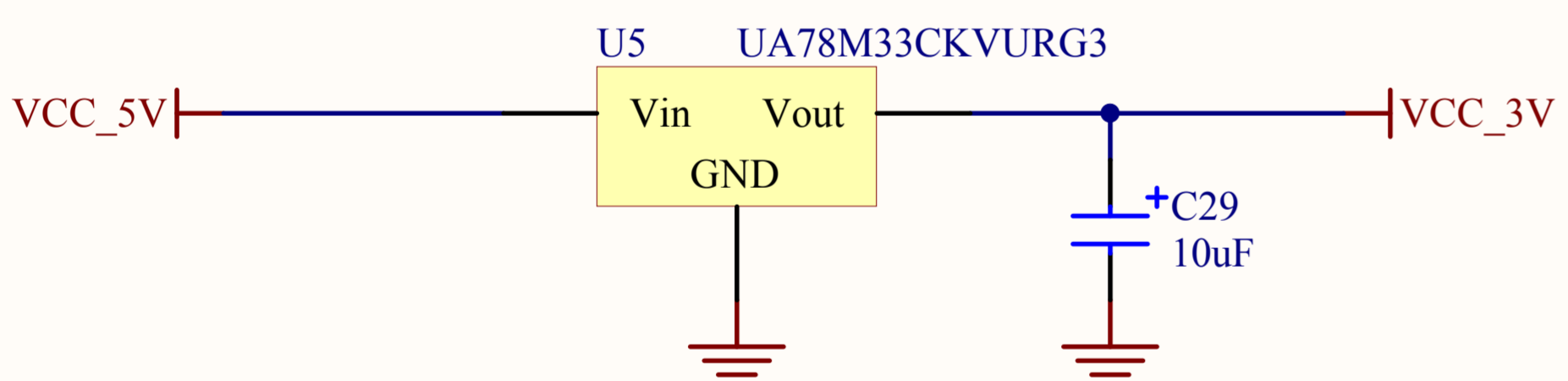
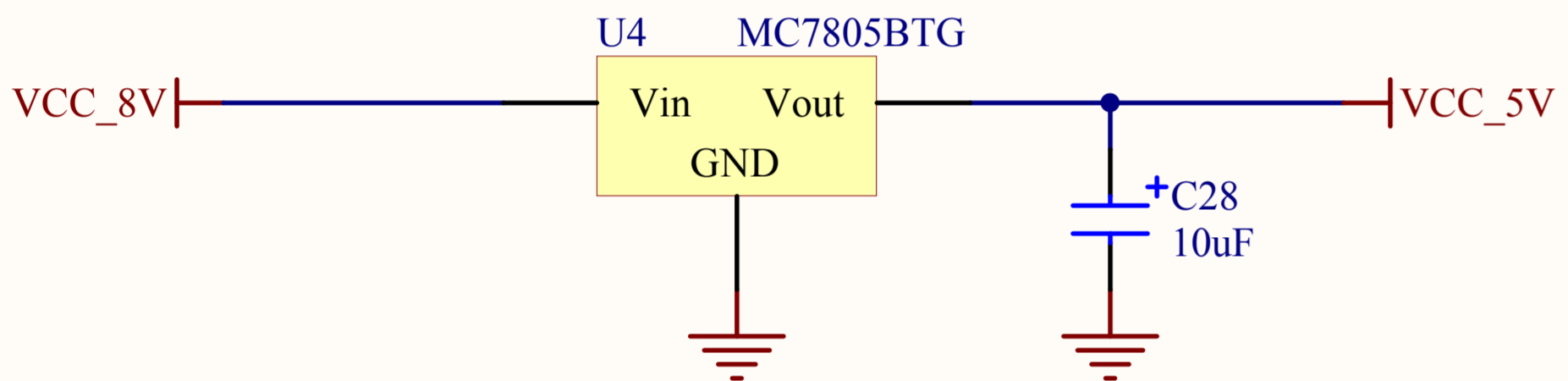
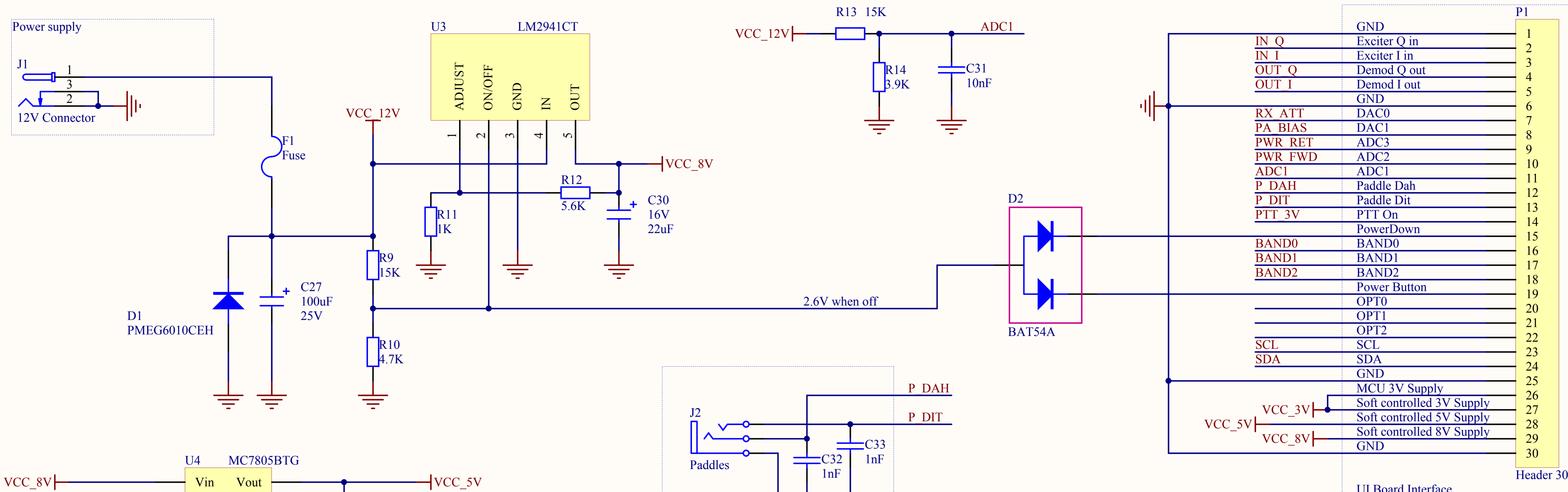
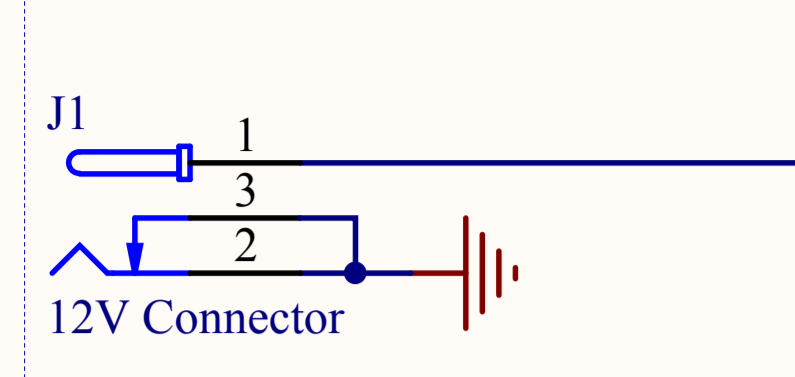
Date: 5/23/2014 Revision: 0.3 Sheet 2 of 10

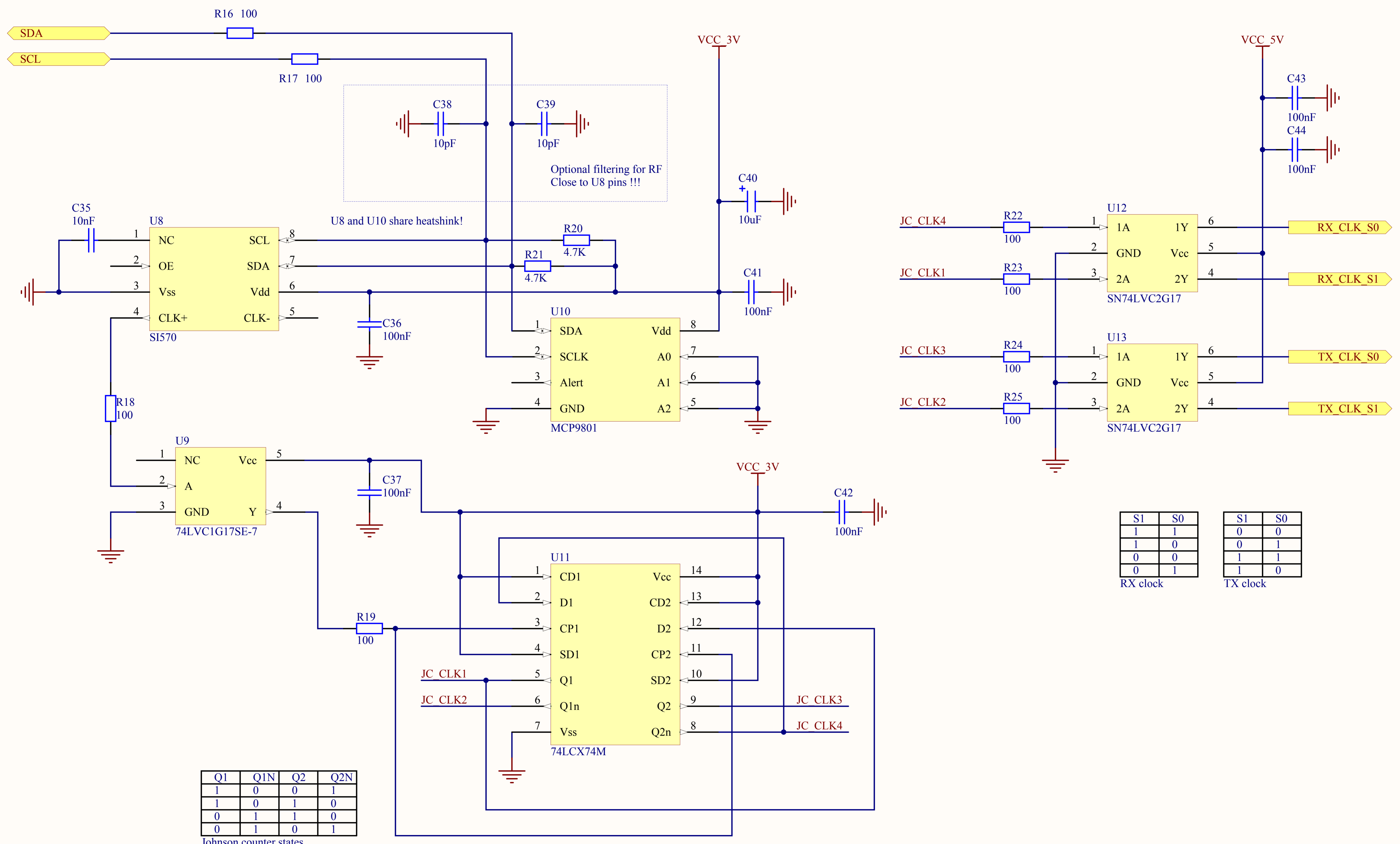
File: \\tsclient\C\Projects\mcHF\pcb\rf\Schematics\rf_bpf.SchDoc

Bandpass filters

K Atanassov
MONKA

Power supply





Q1	Q1N	Q2	Q2N
1	0	0	1
1	0	1	0
0	1	1	0
0	1	0	1

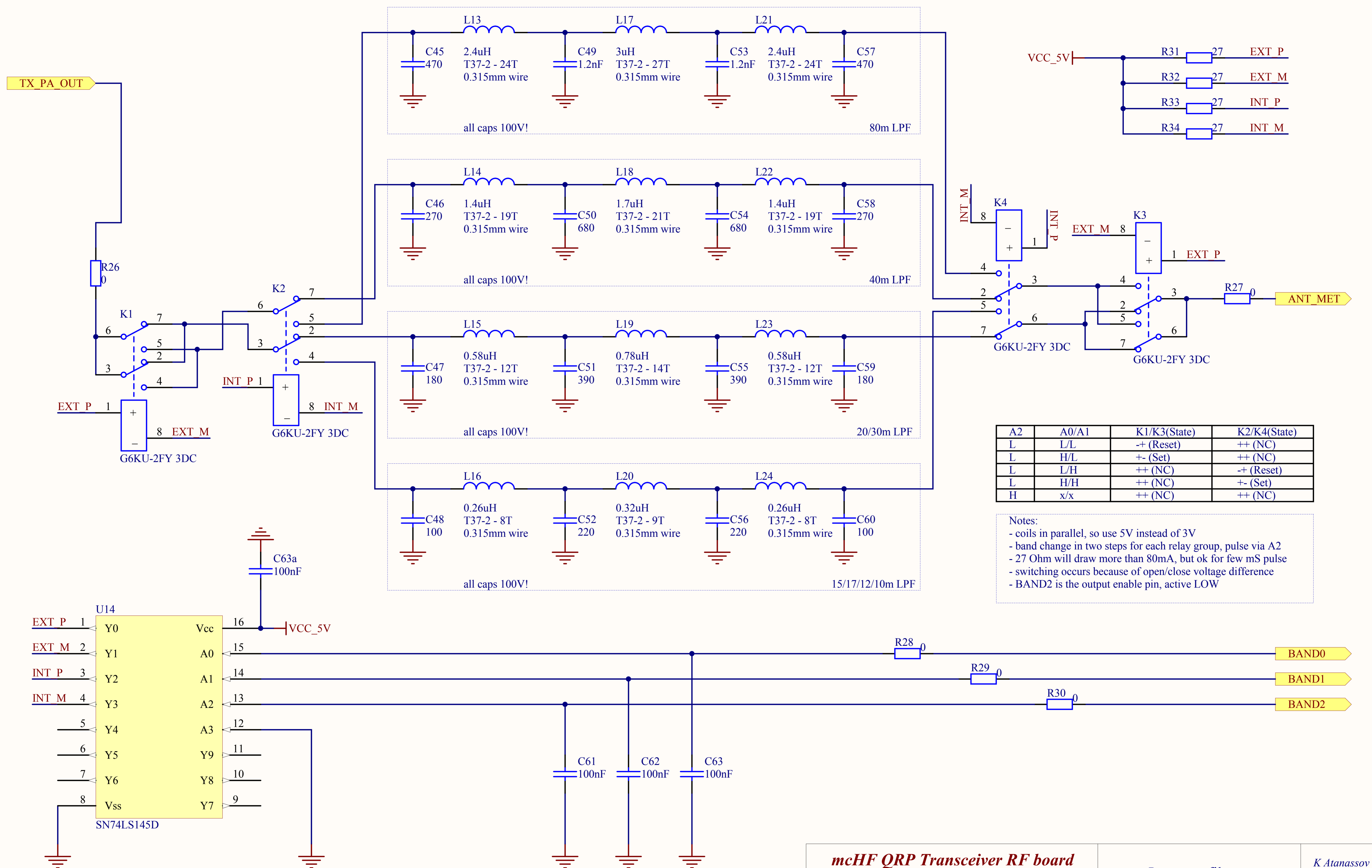
Johnson counter states

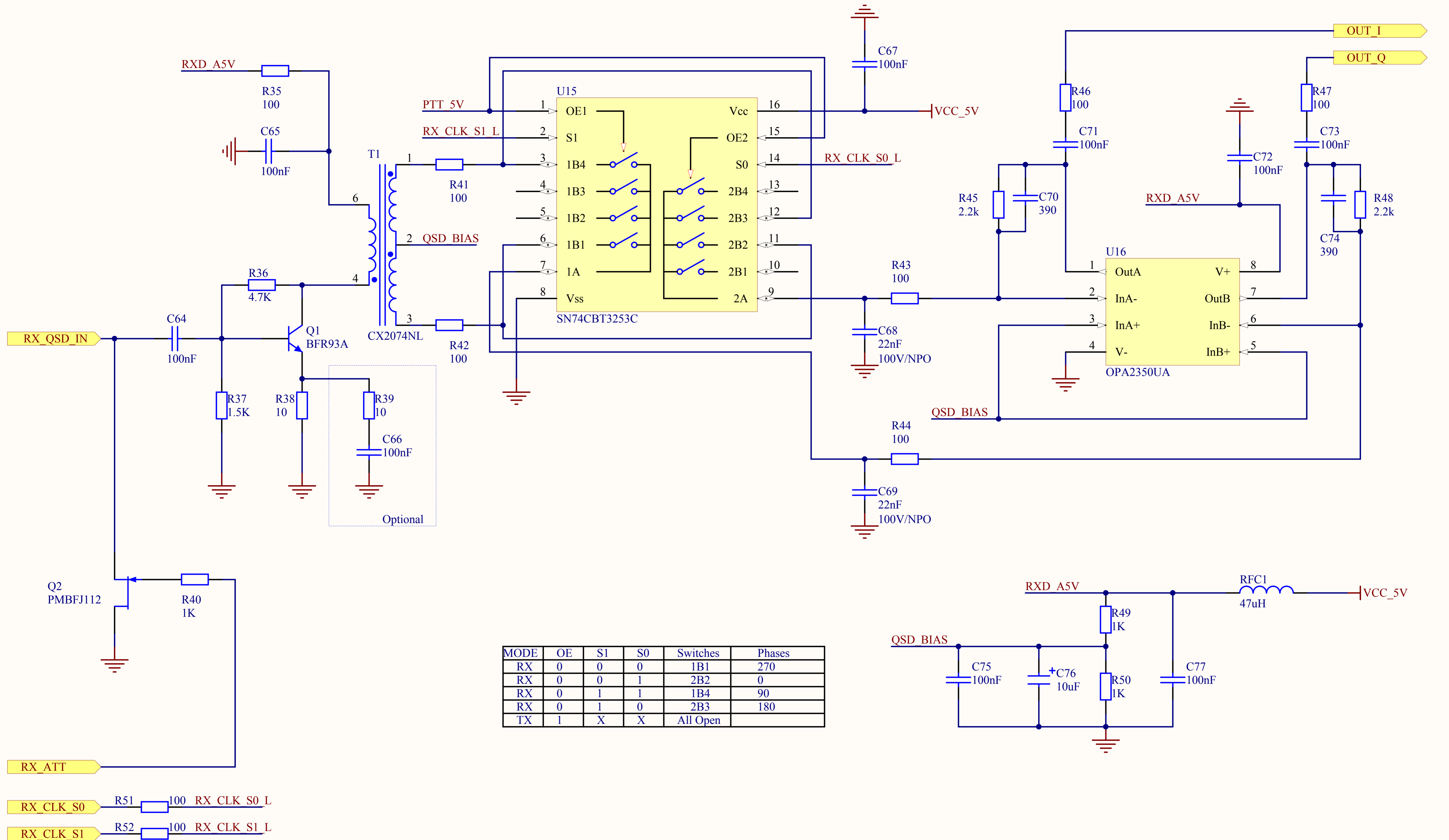
S1	S0
1	1
1	0
0	0
0	1

RX clock

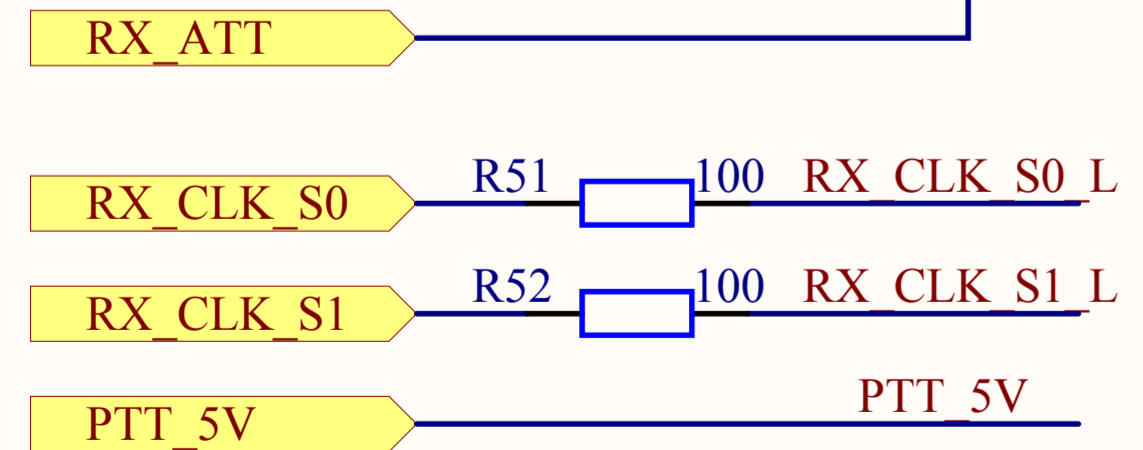
S1	S0
0	0
0	1
1	1
1	0

TX clock

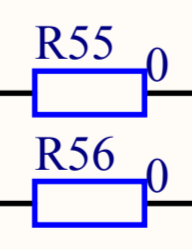
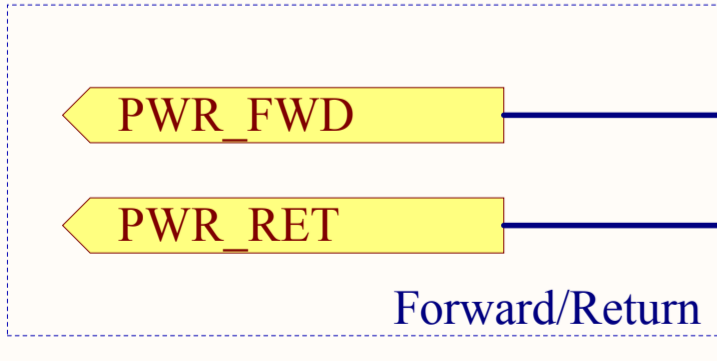
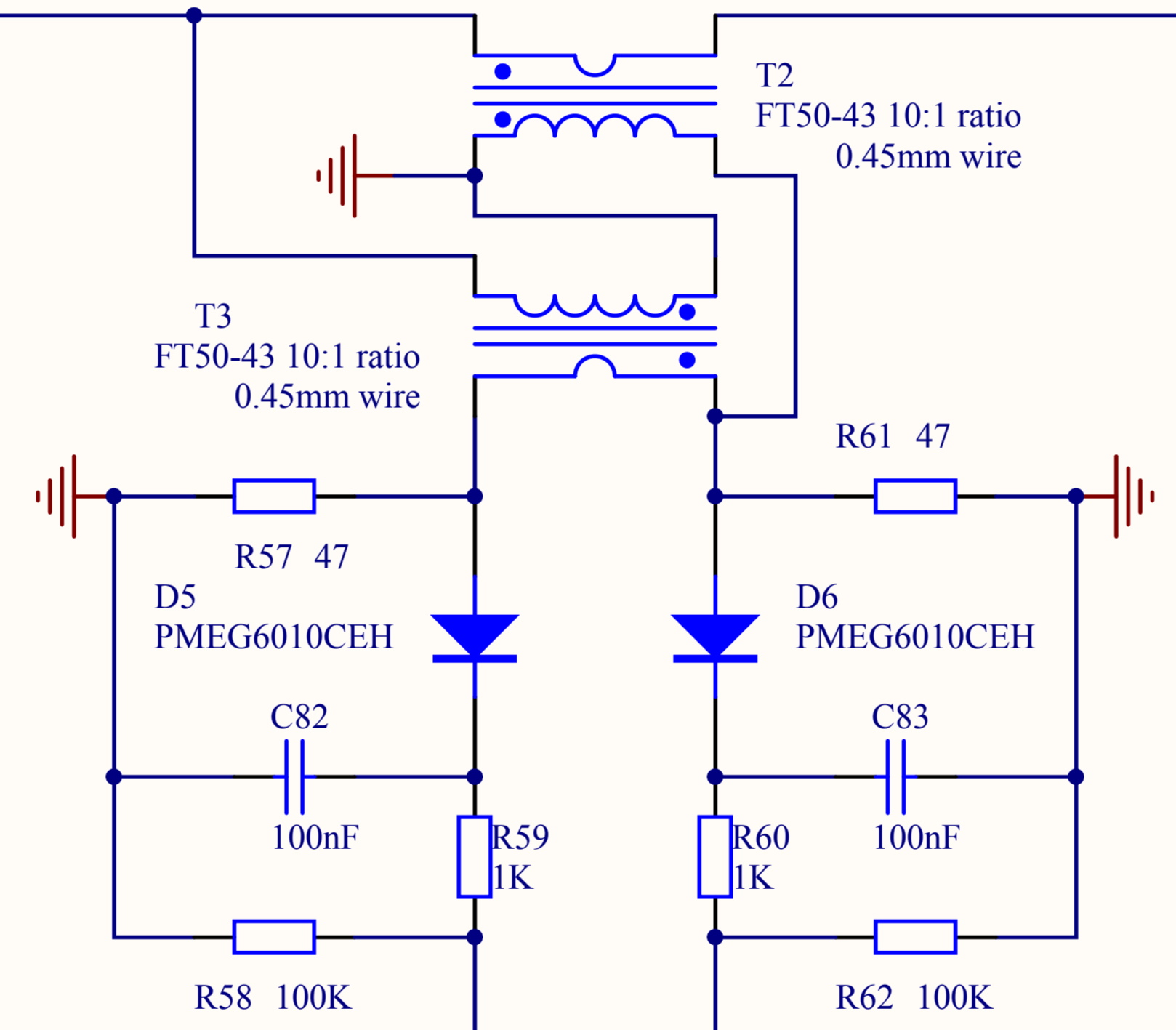
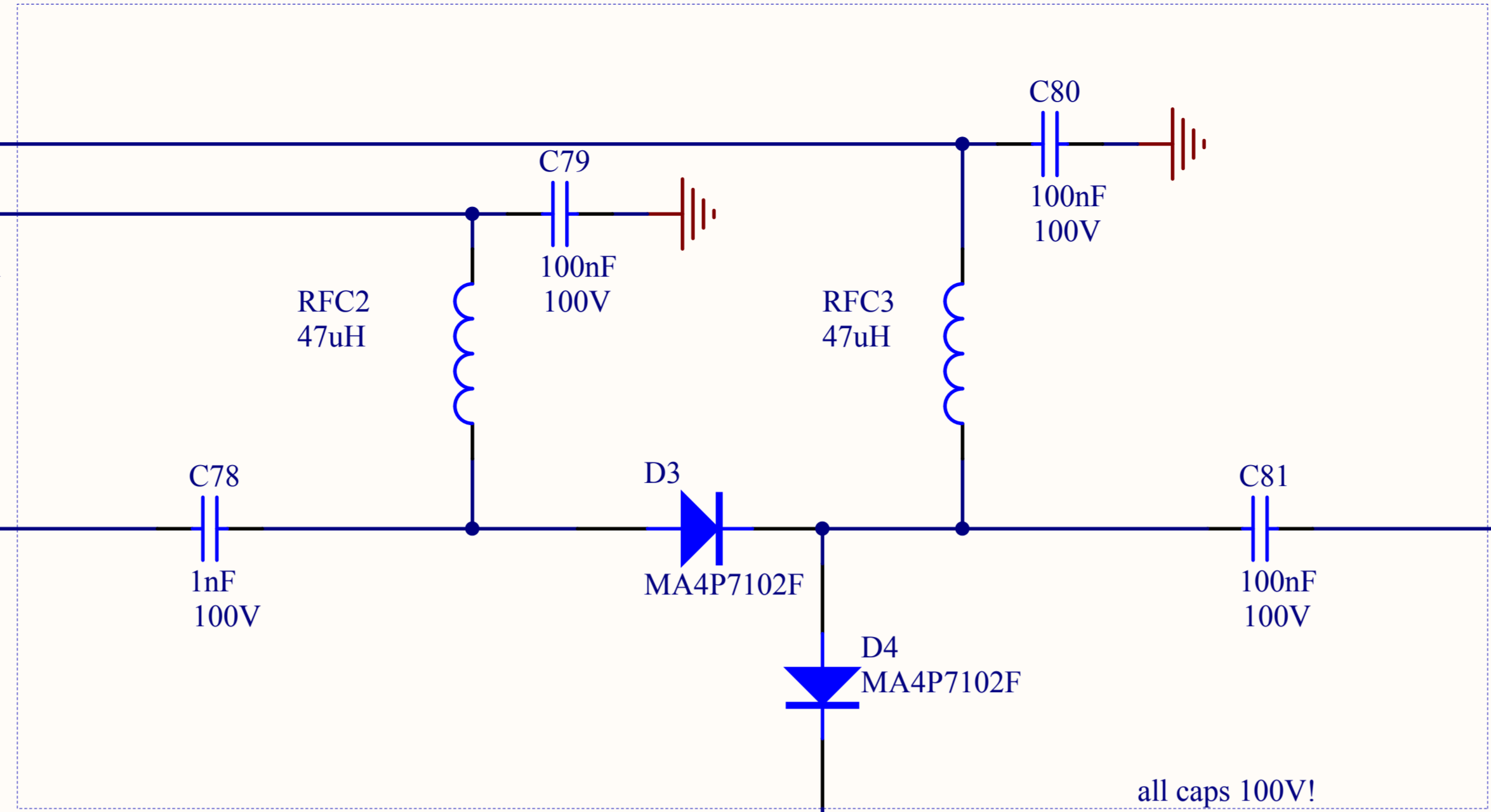
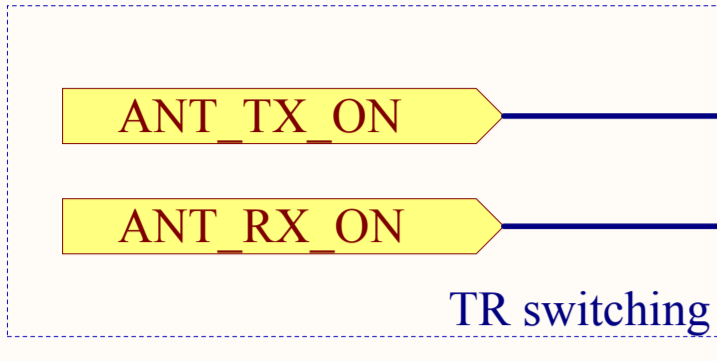




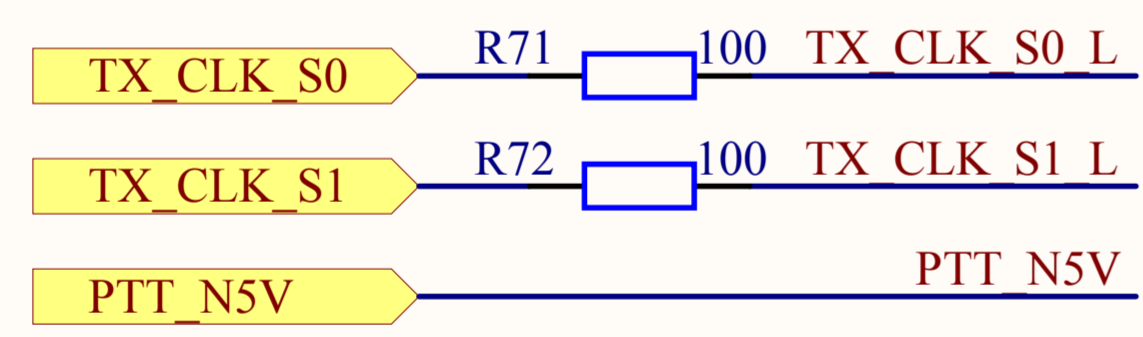
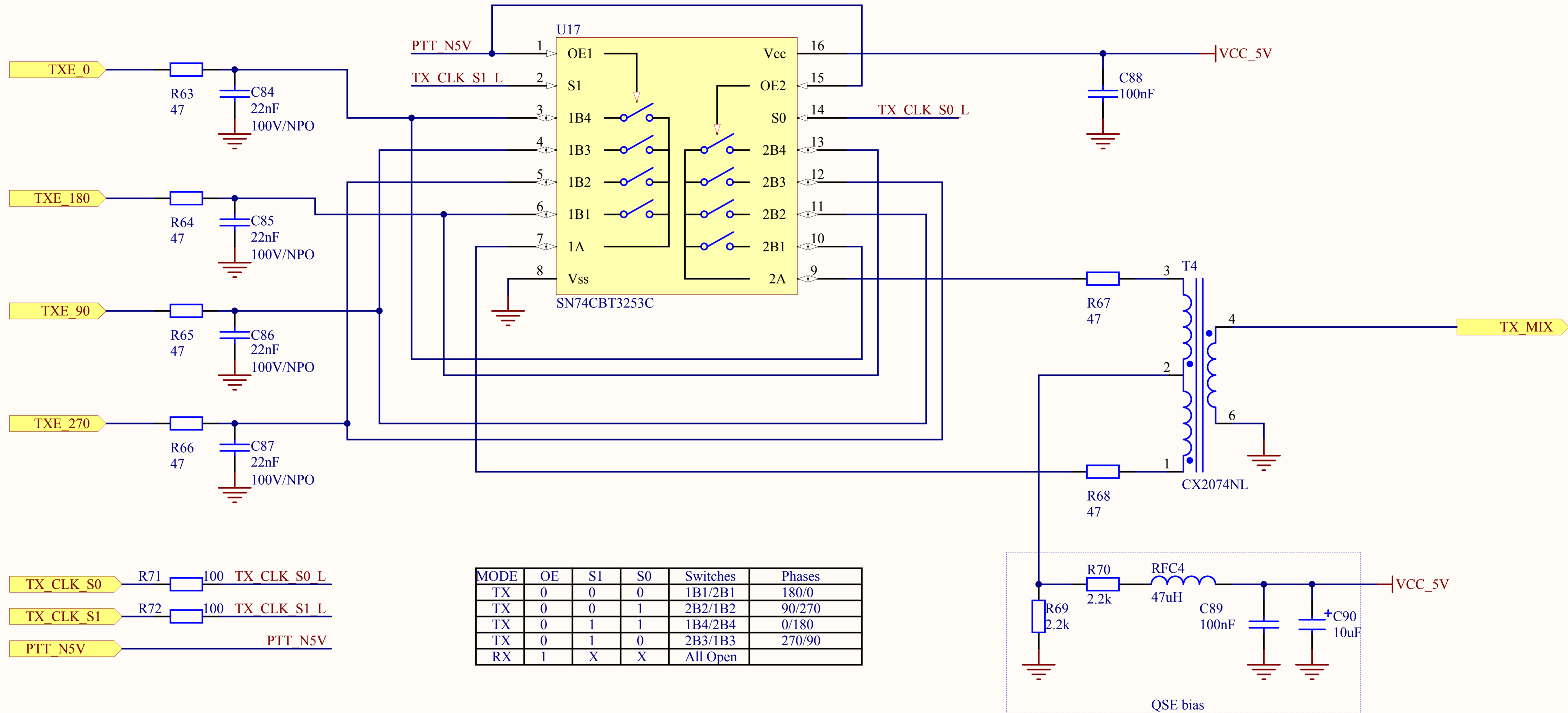
MODE	OE	S1	S0	Switches	Phases
RX	0	0	0	1B1	270
RX	0	0	1	2B2	0
RX	0	1	1	1B4	90
RX	0	1	0	2B3	180
TX	1	X	X	All Open	



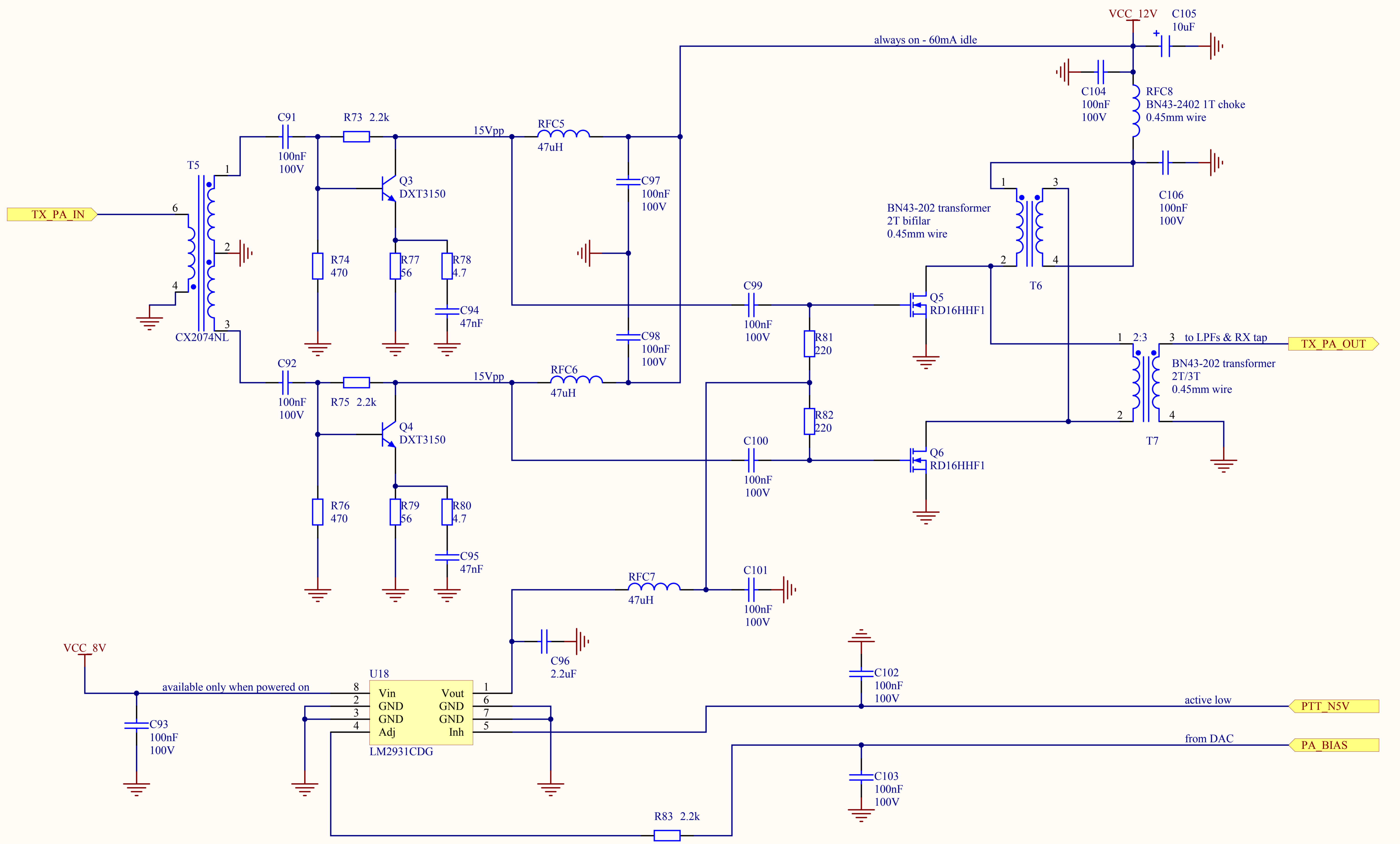
mcHF QRP Transceiver RF board		RX Detector	K Atanassov MONKA
Date: 5/23/2014	Revision: 0.3	Sheet 6 of 10	
File: \\tsclient\C\Projects\mcHF\pcb\rf\Schematics\rf_rxd.SchDoc			



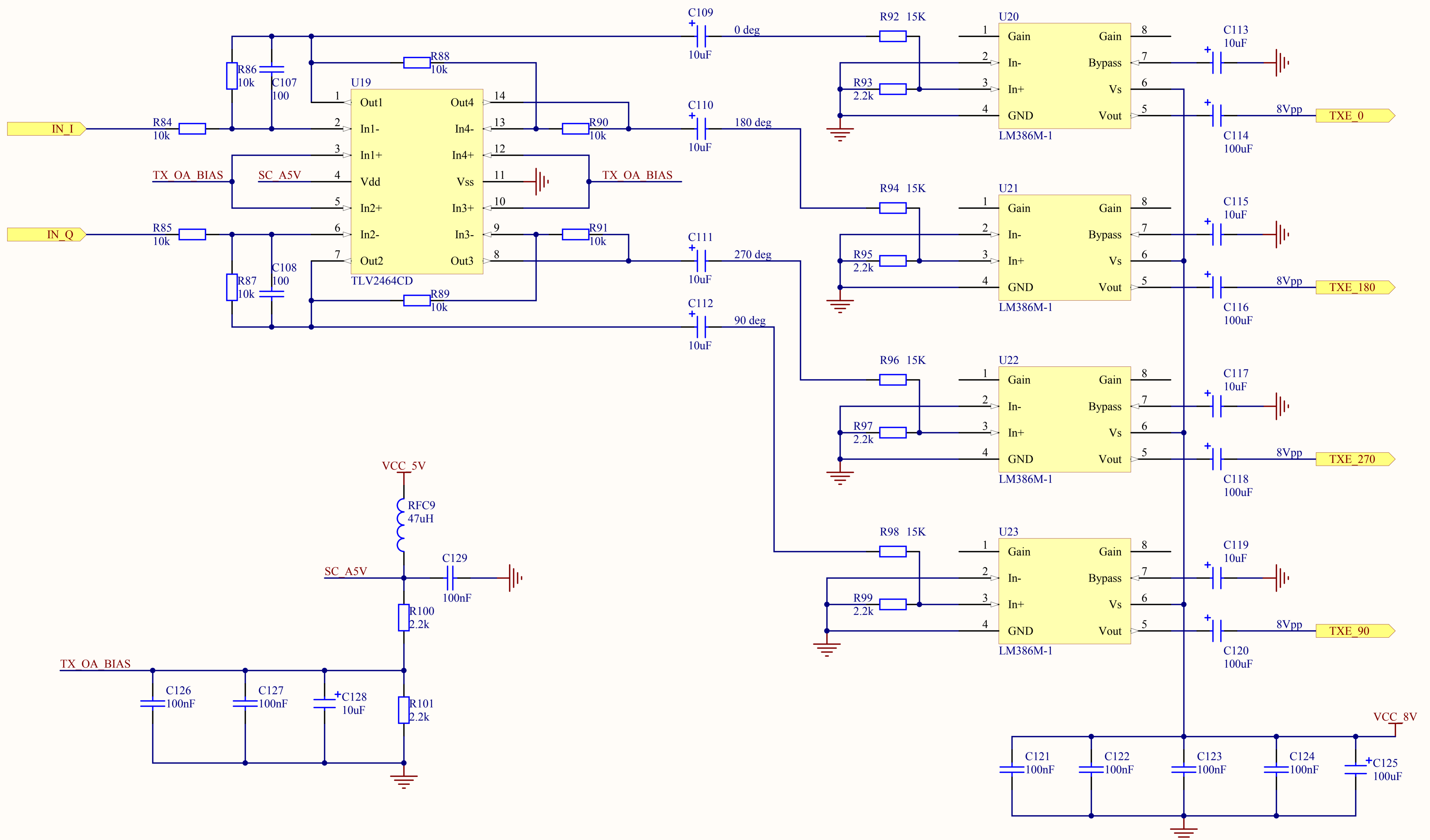
mcHF QRP Transceiver RF board			Antenna Switching	K Atanassov MONKA
Date: 5/23/2014	Revision: 0.3	Sheet 7 of 10		
File: \\tsclient\C\Projects\mcHF\pcb\rf\Schematics\rf_trsw.SchDoc				



MODE	OE	S1	S0	Switches	Phases
TX	0	0	0	1B1/2B1	180/0
TX	0	0	1	2B2/1B2	90/270
TX	0	1	1	1B4/2B4	0/180
TX	0	1	0	2B3/1B3	270/90
RX	1	X	X	All Open	



mcHF QRP Transceiver RF board			TX Power Amplifier	<i>K Atanassov MONKA</i>
Date: 5/23/2014	Revision: 0.3	Sheet 9 of 10		
File: \\tsclient\C\Projects\mcHF\pcb\rf\Schematics\rf_txpa.SchDoc				



mcHF QRP Transceiver RF board		TX Quad preamp		<i>K Atanassov MONKA</i>
Date: 5/23/2014	Revision: 0.3	Sheet 10	of 10	
File: \\tsclient\C\Projects\mcHF\pcb\rf\Schematics\rf_txquad.SchDoc				